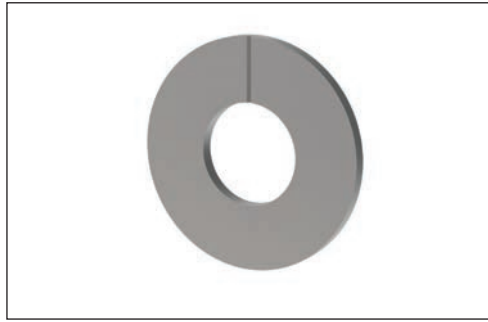




Vented screws are used to remove trapped gases (at the bottom of blind threads) in HV (high vacuum) and UHV (ultra-high vacuum) systems. They are precision cleaned.



They are at their most effective when used with vented washers.

Finishing Options



Silver plating



Gold plating



Nickel plating



Molybdenum coating



Tungsten coating

Typical Applications

- Semi-conductor industry (wafers & microelectronics in UHV)
- Clean rooms (ultra clean assembly processes)
- Energy/Solar energy (photovoltaic panel production)
- Vacuum applications (helping to seal vacuums effectively)
- R&D

Virtual Leaks

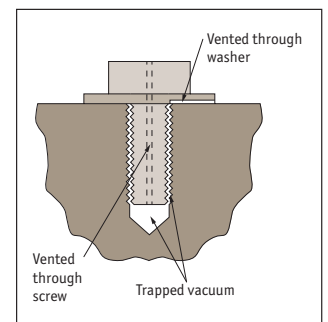
A blind tapped hole inside a vacuum system leaves residual air space at the bottom that cannot be fully evacuated in the vacuum cycle when a bolt, screw, or other fastener is threaded into the hole. The screw itself is a helix with a large surface area also containing voids of trapped air. This produces virtual leaks. Vented screws and fasteners ensure direct ventilation of these voids, allowing the trapped volumes of air within the threads and at the bottoms of the holes to be fully evacuated. This speeds pump-down and helps improve system performance.

Galling

In High Vacuum and Ultra High Vacuum systems, like materials can become cold-fused together (called galling) due to thermal expansion and the lack of moisture created by the vacuum. Screws threaded into blind tapped holes are commonly affected in this way, and components made of stainless steel are particularly susceptible. Finishes, coatings, and platings are uniquely formulated to prevent galling, making parts maintenance and replacement faster and easier. Without the hassle of galled, stuck fasteners, downtime is minimized.

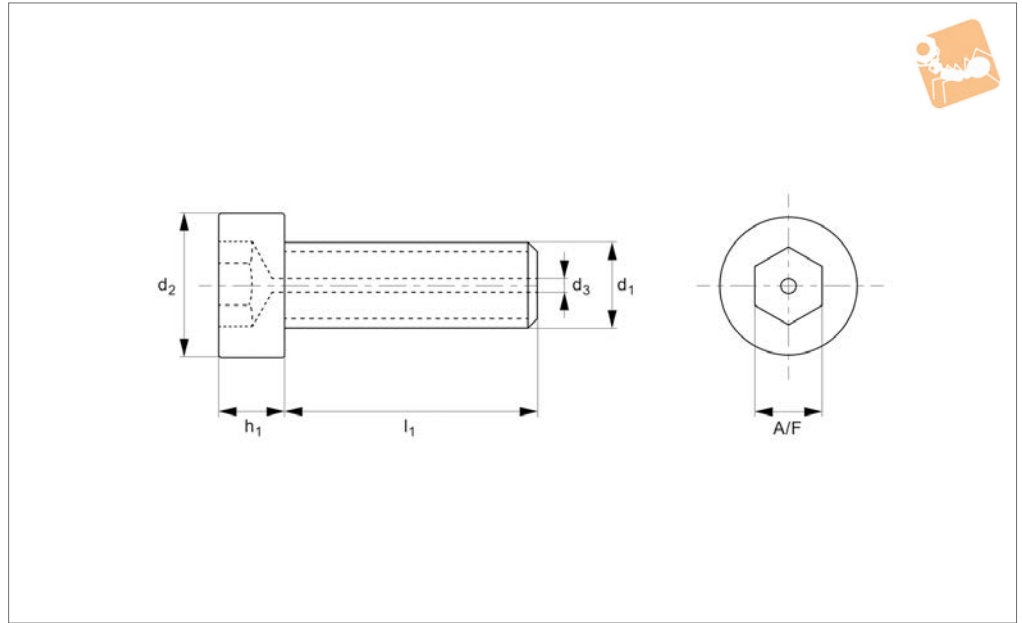
Vacuum Contamination

Our vented and coated fasteners are inspected, cleaned, and packaged in a Class 100 cleanroom environment therefore particulate and organic surface contamination is significantly reduced or eliminated altogether.





P0090.A2



Material

Stainless steel (AISI 304, 1.4301), strength class 60.
Ultrasonically cleaned.

Technical Notes

To DIN 912 (with central vent), precision

cleaned. Other sizes available on request.

Tips

These products help eliminate virtual leaks from high vacuum (HV and UHV) systems, thereby improving pump-down times. Trapped gases at the bottom of a tapped

hole are able to escape via the central vent in the middle of the screw.

Order No.	l_1	d_1	d_2	d_3	h_1	A/F
P0090.020-004-A2	4	M 2	3.8	0.7	2.0	1.5
P0090.020-005-A2	5	M 2	3.8	0.7	2.0	1.5
P0090.020-006-A2	6	M 2	3.8	0.7	2.0	1.5
P0090.020-008-A2	8	M 2	3.8	0.7	2.0	1.5
P0090.020-010-A2	10	M 2	3.8	0.7	2.0	1.5
P0090.020-012-A2	12	M 2	3.8	0.7	2.0	1.5
P0090.020-016-A2	16	M 2	3.8	0.7	2.0	1.5
P0090.025-004-A2	4	M 2,5	4.5	0.9	2.5	2.0
P0090.025-005-A2	5	M 2,5	4.5	0.9	2.5	2.0
P0090.025-006-A2	6	M 2,5	4.5	0.9	2.5	2.0
P0090.025-008-A2	8	M 2,5	4.5	0.9	2.5	2.0
P0090.025-010-A2	10	M 2,5	4.5	0.9	2.5	2.0
P0090.025-012-A2	12	M 2,5	4.5	0.9	2.5	2.0
P0090.025-016-A2	16	M 2,5	4.5	0.9	2.5	2.0
P0090.025-020-A2	20	M 2,5	4.5	0.9	2.5	2.0
P0090.030-005-A2	5	M 3	5.5	1.0	3.0	2.5
P0090.030-006-A2	6	M 3	5.5	1.0	3.0	2.5
P0090.030-008-A2	8	M 3	5.5	1.0	3.0	2.5
P0090.030-010-A2	10	M 3	5.5	1.0	3.0	2.5
P0090.030-012-A2	12	M 3	5.5	1.0	3.0	2.5
P0090.030-016-A2	16	M 3	5.5	1.0	3.0	2.5
P0090.040-005-A2	5	M 4	7.0	1.0	4.0	3.0
P0090.040-006-A2	6	M 4	7.0	1.0	4.0	3.0
P0090.040-008-A2	8	M 4	7.0	1.0	4.0	3.0
P0090.040-010-A2	10	M 4	7.0	1.0	4.0	3.0
P0090.040-012-A2	12	M 4	7.0	1.0	4.0	3.0
P0090.040-016-A2	16	M 4	7.0	1.0	4.0	3.0
P0090.040-020-A2	20	M 4	7.0	1.0	4.0	3.0
P0090.040-025-A2	25	M 4	7.0	1.0	4.0	3.0
P0090.040-030-A2	30	M 4	7.0	1.0	4.0	3.0
P0090.040-035-A2	35	M 4	7.0	1.0	4.0	3.0
P0090.050-006-A2	6	M 5	8.5	1.3	5.0	4.0



Vented Screws - Cap Head

hex. drive - 304 stainless

Vented Screws

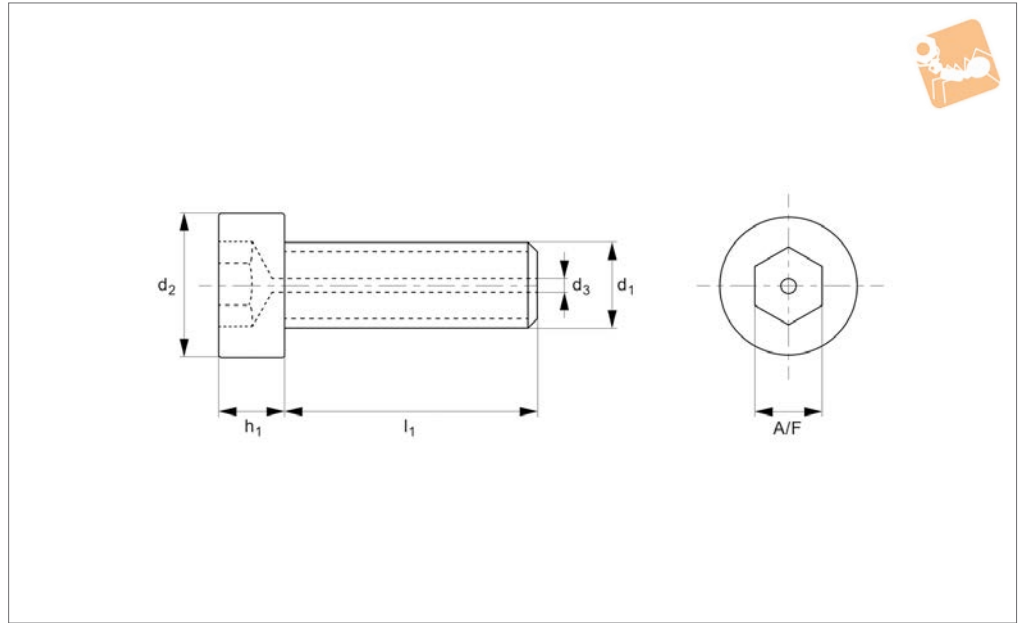


Order No.	l ₁	d ₁	d ₂	d ₃	h ₁	A/F
P0090.050-008-A2	8	M 5	8.5	1.3	5.0	4.0
P0090.050-010-A2	10	M 5	8.5	1.3	5.0	4.0
P0090.050-012-A2	12	M 5	8.5	1.3	5.0	4.0
P0090.050-016-A2	16	M 5	8.5	1.3	5.0	4.0
P0090.050-020-A2	20	M 5	8.5	1.3	5.0	4.0
P0090.050-025-A2	25	M 5	8.5	1.3	5.0	4.0
P0090.050-030-A2	30	M 5	8.5	1.3	5.0	4.0
P0090.050-035-A2	35	M 5	8.5	1.3	5.0	4.0
P0090.050-040-A2	40	M 5	8.5	1.3	5.0	4.0
P0090.060-008-A2	8	M 6	10.0	1.6	6.0	5.0
P0090.060-010-A2	10	M 6	10.0	1.6	6.0	5.0
P0090.060-012-A2	12	M 6	10.0	1.6	6.0	5.0
P0090.060-016-A2	16	M 6	10.0	1.6	6.0	5.0
P0090.060-020-A2	20	M 6	10.0	1.6	6.0	5.0
P0090.060-025-A2	25	M 6	10.0	1.6	6.0	5.0
P0090.060-030-A2	30	M 6	10.0	1.6	6.0	5.0
P0090.060-035-A2	35	M 6	10.0	1.6	6.0	5.0
P0090.060-040-A2	40	M 6	10.0	1.6	6.0	5.0
P0090.060-045-A2	45	M 6	10.0	1.6	6.0	5.0
P0090.060-050-A2	50	M 6	10.0	1.6	6.0	5.0
P0090.080-012-A2	12	M 8	13.0	1.8	8.0	6.0
P0090.080-016-A2	16	M 8	13.0	1.8	8.0	6.0
P0090.080-020-A2	20	M 8	13.0	1.8	8.0	6.0
P0090.080-025-A2	25	M 8	13.0	1.8	8.0	6.0
P0090.080-030-A2	30	M 8	13.0	1.8	8.0	6.0
P0090.080-035-A2	35	M 8	13.0	1.8	8.0	6.0
P0090.080-040-A2	40	M 8	13.0	1.8	8.0	6.0
P0090.080-045-A2	45	M 8	13.0	1.8	8.0	6.0
P0090.080-050-A2	50	M 8	13.0	1.8	8.0	6.0
P0090.080-060-A2	60	M 8	13.0	1.8	8.0	6.0
P0090.100-016-A2	16	M10	16.0	1.8	10.0	8.0
P0090.100-020-A2	20	M10	16.0	1.8	10.0	8.0
P0090.100-025-A2	25	M10	16.0	1.8	10.0	8.0
P0090.100-030-A2	30	M10	16.0	1.8	10.0	8.0
P0090.100-035-A2	35	M10	16.0	1.8	10.0	8.0
P0090.100-040-A2	40	M10	16.0	1.8	10.0	8.0
P0090.100-045-A2	45	M10	16.0	1.8	10.0	8.0
P0090.100-050-A2	50	M10	16.0	1.8	10.0	8.0
P0090.100-060-A2	60	M10	16.0	1.8	10.0	8.0
P0090.120-020-A2	20	M12	18.0	1.8	12.0	10.0
P0090.120-025-A2	25	M12	18.0	1.8	12.0	10.0
P0090.120-030-A2	30	M12	18.0	1.8	12.0	10.0
P0090.120-035-A2	35	M12	18.0	1.8	12.0	10.0
P0090.120-040-A2	40	M12	18.0	1.8	12.0	10.0
P0090.120-045-A2	45	M12	18.0	1.8	12.0	10.0
P0090.120-050-A2	50	M12	18.0	1.8	12.0	10.0
P0090.120-060-A2	60	M12	18.0	1.8	12.0	10.0
P0090.160-025-A2	25	M16	24.0	1.8	16.0	14.0
P0090.160-030-A2	30	M16	24.0	1.8	16.0	14.0
P0090.160-035-A2	35	M16	24.0	1.8	16.0	14.0
P0090.160-040-A2	40	M16	24.0	1.8	16.0	14.0
P0090.160-045-A2	45	M16	24.0	1.8	16.0	14.0
P0090.160-050-A2	50	M16	24.0	1.8	16.0	14.0
P0090.160-060-A2	60	M16	24.0	1.8	16.0	14.0

VENTED SCREWS



P0090.A4



Material

Stainless steel (AISI 316, 1.4401), strength class 60.
Ultrasonically cleaned.

Technical Notes

To DIN 912 (with central vent). Other sizes

can be produced on request.

Tips

These products help eliminate virtual leaks from high vacuum (HV and UHV) systems, thereby improving pump-down times. Trapped gases at the bottom of a tapped

hole are able to escape via the central vent down the middle of the screw.

Order No.	l_1	d_1	d_2	d_3	h_1	A/F
P0090.020-004-A4	4	M 2	3.8	0.7	2.0	1.5
P0090.020-005-A4	5	M 2	3.8	0.7	2.0	1.5
P0090.020-006-A4	6	M 2	3.8	0.7	2.0	1.5
P0090.020-008-A4	8	M 2	3.8	0.7	2.0	1.5
P0090.020-010-A4	10	M 2	3.8	0.7	2.0	1.5
P0090.020-012-A4	12	M 2	3.8	0.7	2.0	1.5
P0090.020-016-A4	16	M 2	3.8	0.7	2.0	1.5
P0090.025-004-A4	4	M 2,5	4.5	0.9	2.5	2.0
P0090.025-005-A4	5	M 2,5	4.5	0.9	2.5	2.0
P0090.025-006-A4	6	M 2,5	4.5	0.9	2.5	2.0
P0090.025-008-A4	8	M 2,5	4.5	0.9	2.5	2.0
P0090.025-010-A4	10	M 2,5	4.5	0.9	2.5	2.0
P0090.025-012-A4	12	M 2,5	4.5	0.9	2.5	2.0
P0090.025-016-A4	16	M 2,5	4.5	0.9	2.5	2.0
P0090.025-020-A4	20	M 2,5	4.5	0.9	2.5	2.0
P0090.030-005-A4	5	M 3	5.5	1.0	3.0	2.5
P0090.030-006-A4	6	M 3	5.5	1.0	3.0	2.5
P0090.030-008-A4	8	M 3	5.5	1.0	3.0	2.5
P0090.030-010-A4	10	M 3	5.5	1.0	3.0	2.5
P0090.030-012-A4	12	M 3	5.5	1.0	3.0	2.5
P0090.030-016-A4	16	M 3	5.5	1.0	3.0	2.5
P0090.040-005-A4	5	M 4	7.0	1.0	4.0	3.0
P0090.040-006-A4	6	M 4	7.0	1.0	4.0	3.0
P0090.040-008-A4	8	M 4	7.0	1.0	4.0	3.0
P0090.040-010-A4	10	M 4	7.0	1.0	4.0	3.0
P0090.040-012-A4	12	M 4	7.0	1.0	4.0	3.0
P0090.040-016-A4	16	M 4	7.0	1.0	4.0	3.0
P0090.040-020-A4	20	M 4	7.0	1.0	4.0	3.0
P0090.040-025-A4	25	M 4	7.0	1.0	4.0	3.0
P0090.040-030-A4	30	M 4	7.0	1.0	4.0	3.0
P0090.040-035-A4	35	M 4	7.0	1.0	4.0	3.0
P0090.050-006-A4	6	M 5	8.5	1.3	5.0	4.0



Vented Screws - Cap Head

hex. drive - 316 stainless

Vented Screws

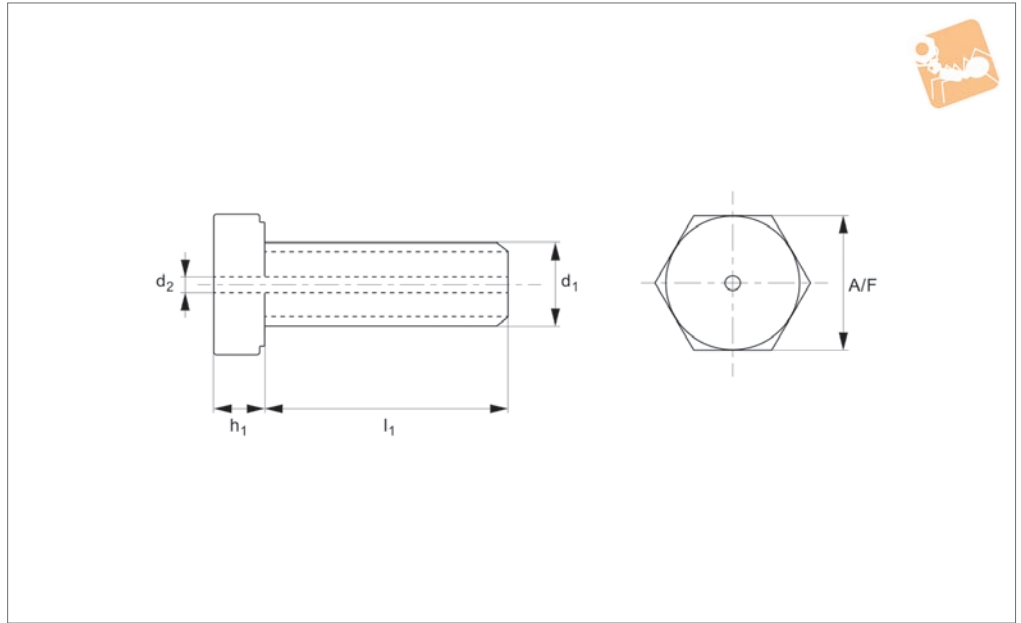


Order No.	l ₁	d ₁	d ₂	d ₃	h ₁	A/F
P0090.050-008-A4	8	M 5	8.5	1.3	5.0	4.0
P0090.050-010-A4	10	M 5	8.5	1.3	5.0	4.0
P0090.050-012-A4	12	M 5	8.5	1.3	5.0	4.0
P0090.050-016-A4	16	M 5	8.5	1.3	5.0	4.0
P0090.050-020-A4	20	M 5	8.5	1.3	5.0	4.0
P0090.050-025-A4	25	M 5	8.5	1.3	5.0	4.0
P0090.050-030-A4	30	M 5	8.5	1.3	5.0	4.0
P0090.050-035-A4	35	M 5	8.5	1.3	5.0	4.0
P0090.050-040-A4	40	M 5	8.5	1.3	5.0	4.0
P0090.060-008-A4	8	M 6	10.0	1.6	6.0	5.0
P0090.060-010-A4	10	M 6	10.0	1.6	6.0	5.0
P0090.060-012-A4	12	M 6	10.0	1.6	6.0	5.0
P0090.060-016-A4	16	M 6	10.0	1.6	6.0	5.0
P0090.060-020-A4	20	M 6	10.0	1.6	6.0	5.0
P0090.060-025-A4	25	M 6	10.0	1.6	6.0	5.0
P0090.060-030-A4	30	M 6	10.0	1.6	6.0	5.0
P0090.060-035-A4	35	M 6	10.0	1.6	6.0	5.0
P0090.060-040-A4	40	M 6	10.0	1.6	6.0	5.0
P0090.060-045-A4	45	M 6	10.0	1.6	6.0	5.0
P0090.060-050-A4	50	M 6	10.0	1.6	6.0	5.0
P0090.080-012-A4	12	M 8	13.0	1.8	8.0	6.0
P0090.080-016-A4	16	M 8	13.0	1.8	8.0	6.0
P0090.080-020-A4	20	M 8	13.0	1.8	8.0	6.0
P0090.080-025-A4	25	M 8	13.0	1.8	8.0	6.0
P0090.080-030-A4	30	M 8	13.0	1.8	8.0	6.0
P0090.080-035-A4	35	M 8	13.0	1.8	8.0	6.0
P0090.080-040-A4	40	M 8	13.0	1.8	8.0	6.0
P0090.080-045-A4	45	M 8	13.0	1.8	8.0	6.0
P0090.080-050-A4	50	M 8	13.0	1.8	8.0	6.0
P0090.080-060-A4	60	M 8	13.0	1.8	8.0	6.0
P0090.100-016-A4	16	M10	16.0	1.8	10.0	8.0
P0090.100-020-A4	20	M10	16.0	1.8	10.0	8.0
P0090.100-025-A4	25	M10	16.0	1.8	10.0	8.0
P0090.100-030-A4	30	M10	16.0	1.8	10.0	8.0
P0090.100-035-A4	35	M10	16.0	1.8	10.0	8.0
P0090.100-040-A4	40	M10	16.0	1.8	10.0	8.0
P0090.100-045-A4	45	M10	16.0	1.8	10.0	8.0
P0090.100-050-A4	50	M10	16.0	1.8	10.0	8.0
P0090.100-060-A4	60	M10	16.0	1.8	10.0	8.0
P0090.120-020-A4	20	M12	18.0	1.8	12.0	10.0
P0090.120-025-A4	25	M12	18.0	1.8	12.0	10.0
P0090.120-030-A4	30	M12	18.0	1.8	12.0	10.0
P0090.120-035-A4	35	M12	18.0	1.8	12.0	10.0
P0090.120-040-A4	40	M12	18.0	1.8	12.0	10.0
P0090.120-045-A4	45	M12	18.0	1.8	12.0	10.0
P0090.120-050-A4	50	M12	18.0	1.8	12.0	10.0
P0090.120-060-A4	60	M12	18.0	1.8	12.0	10.0
P0090.160-025-A4	25	M16	24.0	1.8	16.0	14.0
P0090.160-030-A4	30	M16	24.0	1.8	16.0	14.0
P0090.160-035-A4	35	M16	24.0	1.8	16.0	14.0
P0090.160-040-A4	40	M16	24.0	1.8	16.0	14.0
P0090.160-045-A4	45	M16	24.0	1.8	16.0	14.0
P0090.160-050-A4	50	M16	24.0	1.8	16.0	14.0
P0090.160-060-A4	60	M16	24.0	1.8	16.0	14.0

VENTED SCREWS



P0091.A2



Material

Stainless steel (AISI 304, 1.4301), strength class 60.
Ultrasonically cleaned.

Technical Notes

To DIN 933 (with central vent). Other sizes

available on request.

Tips

These products help eliminate virtual leaks from high vacuum (HV and UHV) systems, thereby improving pump-down times. Trapped gases at the bottom of a tapped

hole are able to escape via the central vent down the middle of the screw.

Order No.	l_1	d_1	d_2	h_1	A/F
P0091.030-005-A2	5	M 3	1.0	2.0	6
P0091.030-006-A2	6	M 3	1.0	2.0	6
P0091.030-008-A2	8	M 3	1.0	2.0	6
P0091.030-010-A2	10	M 3	1.0	2.0	6
P0091.030-012-A2	12	M 3	1.0	2.0	6
P0091.030-016-A2	16	M 3	1.0	2.0	6
P0091.040-005-A2	5	M 4	1.0	2.8	7
P0091.040-006-A2	6	M 4	1.0	2.8	7
P0091.040-008-A2	8	M 4	1.0	2.8	7
P0091.040-010-A2	10	M 4	1.0	2.8	7
P0091.040-012-A2	12	M 4	1.0	2.8	7
P0091.040-016-A2	16	M 4	1.0	2.8	7
P0091.040-020-A2	20	M 4	1.0	2.8	7
P0091.040-025-A2	25	M 4	1.0	2.8	7
P0091.040-030-A2	30	M 4	1.0	2.8	7
P0091.040-035-A2	35	M 4	1.0	2.8	7
P0091.050-006-A2	6	M 5	1.3	3.5	8
P0091.050-008-A2	8	M 5	1.3	3.5	8
P0091.050-010-A2	10	M 5	1.3	3.5	8
P0091.050-012-A2	12	M 5	1.3	3.5	8
P0091.050-016-A2	16	M 5	1.3	3.5	8
P0091.050-020-A2	20	M 5	1.3	3.5	8
P0091.050-025-A2	25	M 5	1.3	3.5	8
P0091.050-030-A2	30	M 5	1.3	3.5	8
P0091.050-035-A2	35	M 5	1.3	3.5	8
P0091.050-040-A2	40	M 5	1.3	3.5	8
P0091.060-008-A2	8	M 6	1.6	4.0	10
P0091.060-010-A2	10	M 6	1.6	4.0	10
P0091.060-012-A2	12	M 6	1.6	4.0	10
P0091.060-016-A2	16	M 6	1.6	4.0	10
P0091.060-020-A2	20	M 6	1.6	4.0	10
P0091.060-025-A2	25	M 6	1.6	4.0	10



Vented Screws - Hex. Head

304 stainless

Vented Screws

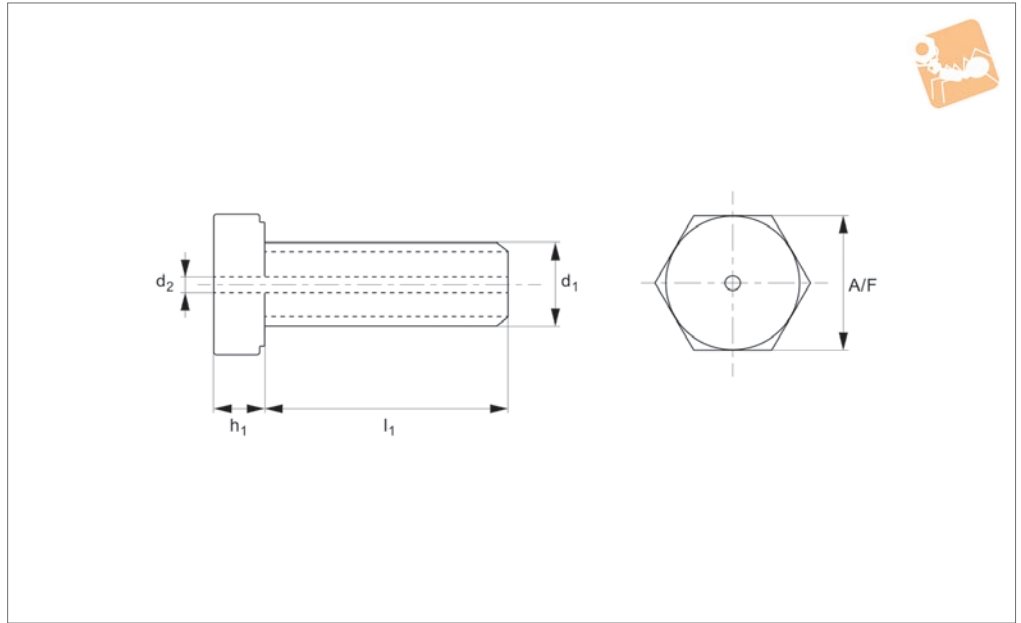


Order No.	l ₁	d ₁	d ₂	h ₁	A/F
P0091.060-030-A2	30	M 6	1.6	4.0	10
P0091.060-035-A2	35	M 6	1.6	4.0	10
P0091.060-040-A2	40	M 6	1.6	4.0	10
P0091.060-045-A2	45	M 6	1.6	4.0	10
P0091.060-050-A2	50	M 6	1.6	4.0	10
P0091.080-012-A2	12	M 8	1.8	5.3	13
P0091.080-016-A2	16	M 8	1.8	5.3	13
P0091.080-020-A2	20	M 8	1.8	5.3	13
P0091.080-025-A2	25	M 8	1.8	5.3	13
P0091.080-030-A2	30	M 8	1.8	5.3	13
P0091.080-035-A2	35	M 8	1.8	5.3	13
P0091.080-040-A2	40	M 8	1.8	5.3	13
P0091.080-045-A2	45	M 8	1.8	5.3	13
P0091.080-050-A2	50	M 8	1.8	5.3	13
P0091.080-055-A2	55	M 8	1.8	5.3	13
P0091.100-016-A2	16	M10	1.8	6.4	17
P0091.100-020-A2	20	M10	1.8	6.4	17
P0091.100-025-A2	25	M10	1.8	6.4	17
P0091.100-030-A2	30	M10	1.8	6.4	17
P0091.100-035-A2	35	M10	1.8	6.4	17
P0091.100-040-A2	40	M10	1.8	6.4	17
P0091.100-045-A2	45	M10	1.8	6.4	17
P0091.100-050-A2	50	M10	1.8	6.4	17
P0091.100-055-A2	55	M10	1.8	6.4	17
P0091.100-060-A2	60	M10	1.8	6.4	17
P0091.120-020-A2	20	M12	1.8	7.5	19
P0091.120-025-A2	25	M12	1.8	7.5	19
P0091.120-030-A2	30	M12	1.8	7.5	19
P0091.120-035-A2	35	M12	1.8	7.5	19
P0091.120-040-A2	40	M12	1.8	7.5	19
P0091.120-045-A2	45	M12	1.8	7.5	19
P0091.120-050-A2	50	M12	1.8	7.5	19
P0091.120-060-A2	60	M12	1.8	7.5	19
P0091.160-025-A2	25	M16	1.8	10.0	24
P0091.160-030-A2	30	M16	1.8	10.0	24
P0091.160-035-A2	35	M16	1.8	10.0	24
P0091.160-040-A2	40	M16	1.8	10.0	24
P0091.160-045-A2	45	M16	1.8	10.0	24
P0091.160-050-A2	50	M16	1.8	10.0	24
P0091.160-060-A2	60	M16	1.8	10.0	24

VENTED SCREWS



P0091.A4



Material

Stainless steel (AISI 316, 1.4401), strength class 60. Ultrasonically cleaned.

Technical Notes

To DIN 933 (with central vent). Other sizes

available on request.

Tips

These products help eliminate virtual leaks from high vacuum (HV and UHV) systems, thereby improving pump-down times. Trapped gases at the bottom of a tapped

hole are able to escape via the central vent down the middle of the screw.

Order No.	l_1	d_1	d_2	h_1	A/F
P0091.030-005-A4	5	M 3	1.0	2.0	5
P0091.030-006-A4	6	M 3	1.0	2.0	5
P0091.030-008-A4	8	M 3	1.0	2.0	5
P0091.030-010-A4	10	M 3	1.0	2.0	5
P0091.030-012-A4	12	M 3	1.0	2.0	5
P0091.030-016-A4	16	M 3	1.0	2.0	5
P0091.040-005-A4	5	M 4	1.0	2.8	7
P0091.040-006-A4	6	M 4	1.0	2.8	7
P0091.040-008-A4	8	M 4	1.0	2.8	7
P0091.040-010-A4	10	M 4	1.0	2.8	7
P0091.040-012-A4	12	M 4	1.0	2.8	7
P0091.040-016-A4	16	M 4	1.0	2.8	7
P0091.040-020-A4	20	M 4	1.0	2.8	7
P0091.040-025-A4	25	M 4	1.0	2.8	7
P0091.040-030-A4	30	M 4	1.0	2.8	7
P0091.040-035-A4	35	M 4	1.0	2.8	7
P0091.050-006-A4	6	M 5	1.3	3.5	8
P0091.050-008-A4	8	M 5	1.3	3.5	8
P0091.050-010-A4	10	M 5	1.3	3.5	8
P0091.050-012-A4	12	M 5	1.3	3.5	8
P0091.050-016-A4	16	M 5	1.3	3.5	8
P0091.050-020-A4	20	M 5	1.3	3.5	8
P0091.050-025-A4	25	M 5	1.3	3.5	8
P0091.050-030-A4	30	M 5	1.3	3.5	8
P0091.050-035-A4	35	M 5	1.3	3.5	8
P0091.050-040-A4	40	M 5	1.3	3.5	8
P0091.060-008-A4	8	M 6	1.6	4.0	10
P0091.060-010-A4	10	M 6	1.6	4.0	10
P0091.060-012-A4	12	M 6	1.6	4.0	10
P0091.060-016-A4	16	M 6	1.6	4.0	10
P0091.060-020-A4	20	M 6	1.6	4.0	10
P0091.060-025-A4	25	M 6	1.6	4.0	10



Vented Screws - Hex. Head

316 stainless

Vented Screws

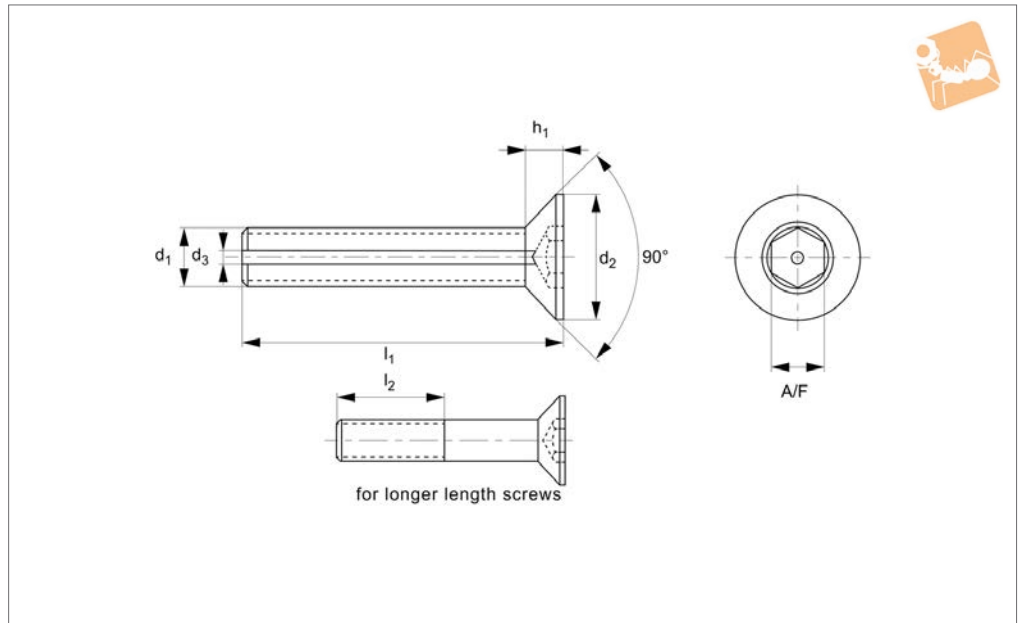


Order No.	l ₁	d ₁	d ₂	h ₁	A/F
P0091.060-030-A4	30	M 6	1.6	4.0	10
P0091.060-035-A4	35	M 6	1.6	4.0	10
P0091.060-040-A4	40	M 6	1.6	4.0	10
P0091.060-045-A4	45	M 6	1.6	4.0	10
P0091.060-050-A4	50	M 6	1.6	4.0	10
P0091.080-012-A4	12	M 8	1.8	5.3	13
P0091.080-016-A4	16	M 8	1.8	5.3	13
P0091.080-020-A4	20	M 8	1.8	5.3	13
P0091.080-025-A4	25	M 8	1.8	5.3	13
P0091.080-030-A4	30	M 8	1.8	5.3	13
P0091.080-035-A4	35	M 8	1.8	5.3	13
P0091.080-040-A4	40	M 8	1.8	5.3	13
P0091.080-045-A4	45	M 8	1.8	5.3	13
P0091.080-050-A4	50	M 8	1.8	5.3	13
P0091.080-055-A4	55	M 8	1.8	5.3	13
P0091.100-016-A4	16	M10	1.8	6.4	17
P0091.100-020-A4	20	M10	1.8	6.4	17
P0091.100-025-A4	25	M10	1.8	6.4	17
P0091.100-030-A4	30	M10	1.8	6.4	17
P0091.100-035-A4	35	M10	1.8	6.4	17
P0091.100-040-A4	40	M10	1.8	6.4	17
P0091.100-045-A4	45	M10	1.8	6.4	17
P0091.100-050-A4	50	M10	1.8	6.4	17
P0091.100-055-A4	55	M10	1.8	6.4	17
P0091.100-060-A4	60	M10	1.8	6.4	17
P0091.120-020-A4	20	M12	1.8	7.5	19
P0091.120-025-A4	25	M12	1.8	7.5	19
P0091.120-030-A4	30	M12	1.8	7.5	19
P0091.120-035-A4	35	M12	1.8	7.5	19
P0091.120-040-A4	40	M12	1.8	7.5	19
P0091.120-045-A4	45	M12	1.8	7.5	19
P0091.120-050-A4	50	M12	1.8	7.5	19
P0091.120-060-A4	60	M12	1.8	7.5	19
P0091.160-025-A4	25	M16	1.8	10.0	24
P0091.160-030-A4	30	M16	1.8	10.0	24
P0091.160-035-A4	35	M16	1.8	10.0	24
P0091.160-040-A4	40	M16	1.8	10.0	24
P0091.160-045-A4	45	M16	1.8	10.0	24
P0091.160-050-A4	50	M16	1.8	10.0	24
P0091.160-060-A4	60	M16	1.8	10.0	24

VENTED SCREWS



P0093.A2



Material

Stainless steel (AISI 304, 1.4301), strength class 60.

Technical Notes

To ISO 10642 with central vent. Other sizes

available on request.

Tips

These products help eliminate virtual leaks from high vacuum (HV and UHV) systems, thereby improving pump-down times.

Trapped gases at the bottom of a tapped hole are able to escape via the central vent down the middle of the screw.

Order No.	l_1	d_1	d_2	d_3	h_1	l_2	A/F
P0093.020-004-A2	4	M 2	3.8	0.8	1.3	-	1.3
P0093.020-005-A2	5	M 2	3.8	0.8	1.3	-	1.3
P0093.020-006-A2	6	M 2	3.8	0.8	1.3	-	1.3
P0093.020-008-A2	8	M 2	3.8	0.8	1.3	-	1.3
P0093.020-010-A2	10	M 2	3.8	0.8	1.3	-	1.3
P0093.020-012-A2	12	M 2	3.8	0.8	1.3	-	1.3
P0093.025-004-A2	4	M2,5	4.8	0.9	1.9	-	1.5
P0093.025-005-A2	5	M2,5	4.8	0.9	1.9	-	1.5
P0093.025-006-A2	6	M2,5	4.8	0.9	1.9	-	1.5
P0093.025-008-A2	8	M2,5	4.8	0.9	1.9	-	1.5
P0093.025-010-A2	10	M2,5	4.8	0.9	1.9	-	1.5
P0093.025-012-A2	12	M2,5	4.8	0.9	1.9	-	1.5
P0093.030-005-A2	5	M 3	6.0	1.0	1.7	-	2.0
P0093.030-006-A2	6	M 3	6.0	1.0	1.7	-	2.0
P0093.030-008-A2	8	M 3	6.0	1.0	1.7	-	2.0
P0093.030-010-A2	10	M 3	6.0	1.0	1.7	-	2.0
P0093.030-012-A2	12	M 3	6.0	1.0	1.7	-	2.0
P0093.030-016-A2	16	M 3	6.0	1.0	1.7	12	2.0
P0093.040-005-A2	5	M 4	8.0	1.0	2.3	-	2.5
P0093.040-006-A2	6	M 4	8.0	1.0	2.3	-	2.5
P0093.040-008-A2	8	M 4	8.0	1.0	2.3	-	2.5
P0093.040-010-A2	10	M 4	8.0	1.0	2.3	-	2.5
P0093.040-012-A2	12	M 4	8.0	1.0	2.3	-	2.5
P0093.040-016-A2	16	M 4	8.0	1.0	2.3	14	2.5
P0093.040-020-A2	20	M 4	8.0	1.0	2.3	14	2.5
P0093.040-025-A2	25	M 4	8.0	1.0	2.3	14	2.5
P0093.040-030-A2	30	M 4	8.0	1.0	2.3	14	2.5
P0093.040-035-A2	35	M 4	8.0	1.0	2.3	14	2.5
P0093.050-006-A2	6	M 5	10.0	1.3	2.8	-	3.0
P0093.050-008-A2	8	M 5	10.0	1.3	2.8	-	3.0
P0093.050-010-A2	10	M 5	10.0	1.3	2.8	-	3.0
P0093.050-012-A2	12	M 5	10.0	1.3	2.8	-	3.0
P0093.050-016-A2	16	M 5	10.0	1.3	2.8	-	3.0



Vented Countersunk Machine Screws

hex. drive - 304 stainless

Vented Screws

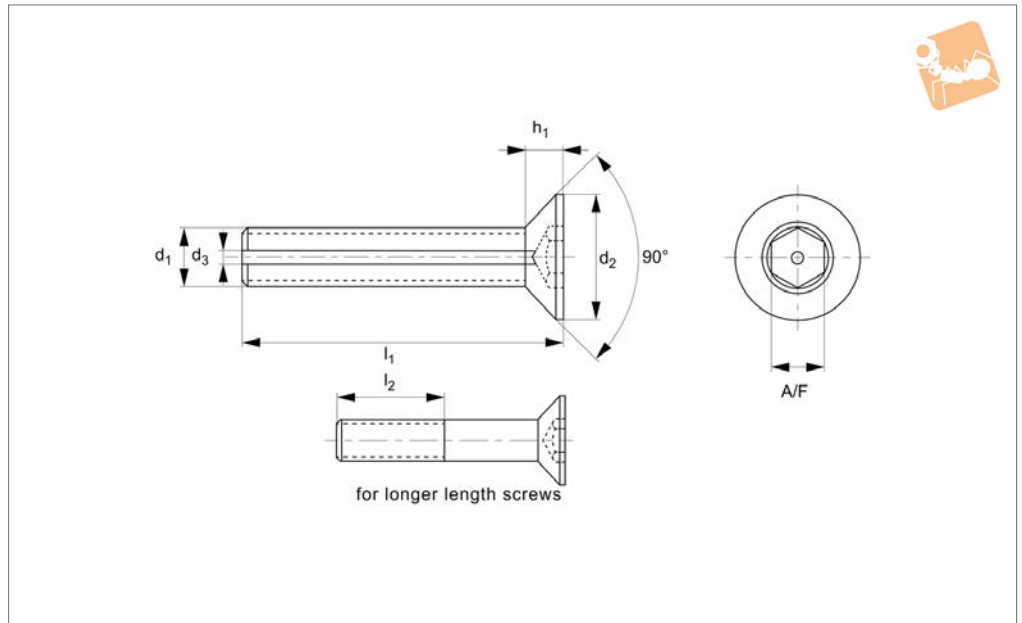


Order No.	l ₁	d ₁	d ₂	d ₃	h ₁	l ₂	A/F
P0093.050-020-A2	20	M 5	10.0	1.3	2.8	16	3.0
P0093.050-025-A2	25	M 5	10.0	1.3	2.8	16	3.0
P0093.050-030-A2	30	M 5	10.0	1.3	2.8	16	3.0
P0093.050-035-A2	35	M 5	10.0	1.3	2.8	16	3.0
P0093.050-040-A2	40	M 5	10.0	1.3	2.8	16	3.0
P0093.060-008-A2	8	M 6	12.0	1.6	3.3	-	4.0
P0093.060-010-A2	10	M 6	12.0	1.6	3.3	-	4.0
P0093.060-012-A2	12	M 6	12.0	1.6	3.3	-	4.0
P0093.060-016-A2	16	M 6	12.0	1.6	3.3	-	4.0
P0093.060-020-A2	20	M 6	12.0	1.6	3.3	18	4.0
P0093.060-025-A2	25	M 6	12.0	1.6	3.3	18	4.0
P0093.060-030-A2	30	M 6	12.0	1.6	3.3	18	4.0
P0093.060-035-A2	35	M 6	12.0	1.6	3.3	18	4.0
P0093.060-040-A2	40	M 6	12.0	1.6	3.3	18	4.0
P0093.060-045-A2	45	M 6	12.0	1.6	3.3	18	4.0
P0093.060-050-A2	50	M 6	12.0	1.6	3.3	18	4.0
P0093.080-012-A2	12	M 8	16.0	1.8	4.4	-	5.0
P0093.080-016-A2	16	M 8	16.0	1.8	4.4	-	5.0
P0093.080-020-A2	20	M 8	16.0	1.8	4.4	-	5.0
P0093.080-025-A2	25	M 8	16.0	1.8	4.4	22	5.0
P0093.080-030-A2	30	M 8	16.0	1.8	4.4	22	5.0
P0093.080-035-A2	35	M 8	16.0	1.8	4.4	22	5.0
P0093.080-040-A2	40	M 8	16.0	1.8	4.4	22	5.0
P0093.080-045-A2	45	M 8	16.0	1.8	4.4	22	5.0
P0093.080-050-A2	50	M 8	16.0	1.8	4.4	22	5.0
P0093.080-055-A2	55	M 8	16.0	1.8	4.4	22	5.0
P0093.100-016-A2	16	M10	20.0	1.8	5.5	-	6.0
P0093.100-020-A2	20	M10	20.0	1.8	5.5	-	6.0
P0093.100-025-A2	25	M10	20.0	1.8	5.5	-	6.0
P0093.100-030-A2	30	M10	20.0	1.8	5.5	26	6.0
P0093.100-035-A2	35	M10	20.0	1.8	5.5	26	6.0
P0093.100-040-A2	40	M10	20.0	1.8	5.5	26	6.0
P0093.100-045-A2	45	M10	20.0	1.8	5.5	26	6.0
P0093.100-050-A2	50	M10	20.0	1.8	5.5	26	6.0
P0093.100-055-A2	55	M10	20.0	1.8	5.5	26	6.0
P0093.100-060-A2	60	M10	20.0	1.8	5.5	26	6.0
P0093.120-020-A2	20	M12	24.0	1.8	6.5	-	8.0
P0093.120-025-A2	25	M12	24.0	1.8	6.5	-	8.0
P0093.120-030-A2	30	M12	24.0	1.8	6.5	-	8.0
P0093.120-035-A2	35	M12	24.0	1.8	6.5	30	8.0
P0093.120-040-A2	40	M12	24.0	1.8	6.5	30	8.0
P0093.120-045-A2	45	M12	24.0	1.8	6.5	30	8.0
P0093.120-050-A2	50	M12	24.0	1.8	6.5	30	8.0
P0093.120-060-A2	60	M12	24.0	1.8	6.5	30	8.0
P0093.160-025-A2	25	M16	30.0	1.8	7.5	-	10.0
P0093.160-030-A2	30	M16	30.0	1.8	7.5	-	10.0
P0093.160-035-A2	35	M16	30.0	1.8	7.5	-	10.0
P0093.160-040-A2	40	M16	30.0	1.8	7.5	38	10.0
P0093.160-045-A2	45	M16	30.0	1.8	7.5	38	10.0
P0093.160-050-A2	50	M16	30.0	1.8	7.5	38	10.0
P0093.160-060-A2	60	M16	30.0	1.8	7.5	38	10.0

VENTED SCREWS



P0093.A4



Material

Stainless steel (AISI 316, 1.4401), strength class 60.

Technical Notes

To ISO 10642 with central vent. Other sizes

can be produced to technical drawings.

Tips

These products help eliminate virtual leaks from high vacuum (HV and UHV) systems, thereby improving pump-down times.

Trapped gases at the bottom of a tapped hole are able to escape via the central vent down the middle of the screw.

Order No.	l_1	d_1	d_2	d_3	h_1	l_2	A/F
P0093.020-004-A4	4	M 2	3.8	0.8	1.3	-	1.3
P0093.020-005-A4	5	M 2	3.8	0.8	1.3	-	1.3
P0093.020-006-A4	6	M 2	3.8	0.8	1.3	-	1.3
P0093.020-008-A4	8	M 2	3.8	0.8	1.3	-	1.3
P0093.020-010-A4	10	M 2	3.8	0.8	1.3	-	1.3
P0093.020-012-A4	12	M 2	3.8	0.8	1.3	-	1.3
P0093.025-004-A4	4	M2,5	4.8	0.9	1.9	-	1.5
P0093.025-005-A4	5	M2,5	4.8	0.9	1.9	-	1.5
P0093.025-006-A4	6	M2,5	4.8	0.9	1.9	-	1.5
P0093.025-008-A4	8	M2,5	4.8	0.9	1.9	-	1.5
P0093.025-010-A4	10	M2,5	4.8	0.9	1.9	-	1.5
P0093.025-012-A4	12	M2,5	4.8	0.9	1.9	-	1.5
P0093.030-005-A4	5	M 3	6.0	1.0	1.7	-	2.0
P0093.030-006-A4	6	M 3	6.0	1.0	1.7	-	2.0
P0093.030-008-A4	8	M 3	6.0	1.0	1.7	-	2.0
P0093.030-010-A4	10	M 3	6.0	1.0	1.7	-	2.0
P0093.030-012-A4	12	M 3	6.0	1.0	1.7	-	2.0
P0093.030-016-A4	16	M 3	6.0	1.0	1.7	12	2.0
P0093.040-005-A4	5	M 4	8.0	1.0	2.3	-	2.5
P0093.040-006-A4	6	M 4	8.0	1.0	2.3	-	2.5
P0093.040-008-A4	8	M 4	8.0	1.0	2.3	-	2.5
P0093.040-010-A4	10	M 4	8.0	1.0	2.3	-	2.5
P0093.040-012-A4	12	M 4	8.0	1.0	2.3	-	2.5
P0093.040-016-A4	16	M 4	8.0	1.0	2.3	14	2.5
P0093.040-020-A4	20	M 4	8.0	1.0	2.3	14	2.5
P0093.040-025-A4	25	M 4	8.0	1.0	2.3	14	2.5
P0093.040-030-A4	30	M 4	8.0	1.0	2.3	14	2.5
P0093.040-035-A4	35	M 4	8.0	1.0	2.3	14	2.5
P0093.050-006-A4	6	M 5	10.0	1.3	2.8	-	3.0
P0093.050-008-A4	8	M 5	10.0	1.3	2.8	-	3.0
P0093.050-010-A4	10	M 5	10.0	1.3	2.8	-	3.0
P0093.050-012-A4	12	M 5	10.0	1.3	2.8	-	3.0
P0093.050-016-A4	16	M 5	10.0	1.3	2.8	-	3.0



Vented Countersunk Machine Screws

hex. drive - 316 stainless

Vented Screws

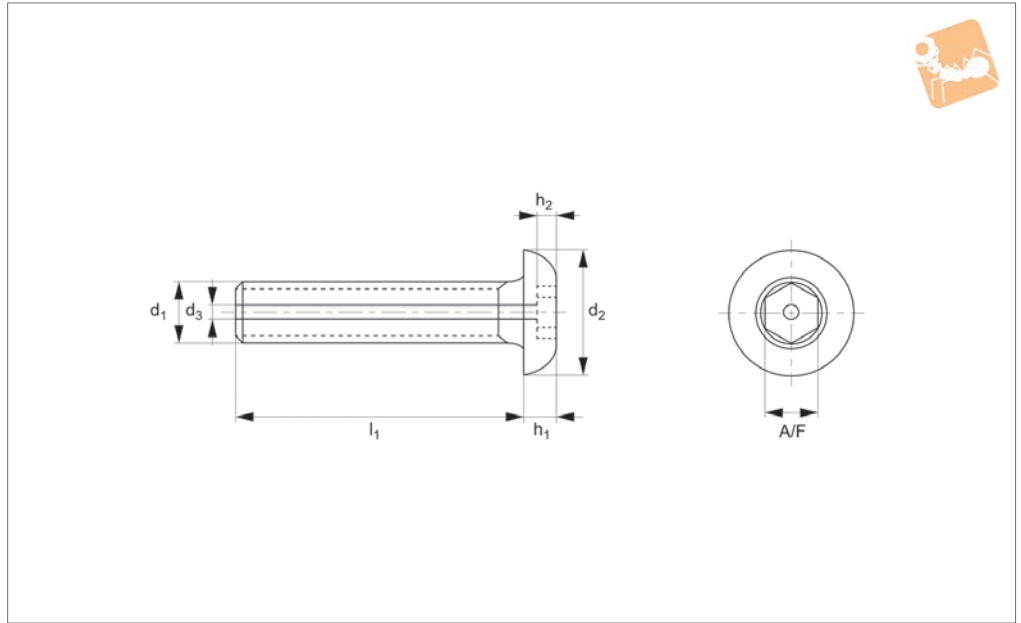


Order No.	l ₁	d ₁	d ₂	d ₃	h ₁	l ₂	A/F
P0093.050-020-A4	20	M 5	10.0	1.3	2.8	16	3.0
P0093.050-025-A4	25	M 5	10.0	1.3	2.8	16	3.0
P0093.050-030-A4	30	M 5	10.0	1.3	2.8	16	3.0
P0093.050-035-A4	35	M 5	10.0	1.3	2.8	16	3.0
P0093.050-040-A4	40	M 5	10.0	1.3	2.8	16	3.0
P0093.060-008-A4	8	M 6	12.0	1.6	3.3	-	4.0
P0093.060-010-A4	10	M 6	12.0	1.6	3.3	-	4.0
P0093.060-012-A4	12	M 6	12.0	1.6	3.3	-	4.0
P0093.060-016-A4	16	M 6	12.0	1.6	3.3	-	4.0
P0093.060-020-A4	20	M 6	12.0	1.6	3.3	18	4.0
P0093.060-025-A4	25	M 6	12.0	1.6	3.3	18	4.0
P0093.060-030-A4	30	M 6	12.0	1.6	3.3	18	4.0
P0093.060-035-A4	35	M 6	12.0	1.6	3.3	18	4.0
P0093.060-040-A4	40	M 6	12.0	1.6	3.3	18	4.0
P0093.060-045-A4	45	M 6	12.0	1.6	3.3	18	4.0
P0093.060-050-A4	50	M 6	12.0	1.6	3.3	18	4.0
P0093.080-012-A4	12	M 8	16.0	1.8	4.4	-	5.0
P0093.080-016-A4	16	M 8	16.0	1.8	4.4	-	5.0
P0093.080-020-A4	20	M 8	16.0	1.8	4.4	-	5.0
P0093.080-025-A4	25	M 8	16.0	1.8	4.4	22	5.0
P0093.080-030-A4	30	M 8	16.0	1.8	4.4	22	5.0
P0093.080-035-A4	35	M 8	16.0	1.8	4.4	22	5.0
P0093.080-040-A4	40	M 8	16.0	1.8	4.4	22	5.0
P0093.080-045-A4	45	M 8	16.0	1.8	4.4	22	5.0
P0093.080-050-A4	50	M 8	16.0	1.8	4.4	22	5.0
P0093.080-055-A4	55	M 8	16.0	1.8	4.4	22	5.0
P0093.100-016-A4	16	M10	20.0	1.8	5.5	-	6.0
P0093.100-020-A4	20	M10	20.0	1.8	5.5	-	6.0
P0093.100-025-A4	25	M10	20.0	1.8	5.5	-	6.0
P0093.100-030-A4	30	M10	20.0	1.8	5.5	26	6.0
P0093.100-035-A4	35	M10	20.0	1.8	5.5	26	6.0
P0093.100-040-A4	40	M10	20.0	1.8	5.5	26	6.0
P0093.100-045-A4	45	M10	20.0	1.8	5.5	26	6.0
P0093.100-050-A4	50	M10	20.0	1.8	5.5	26	6.0
P0093.100-055-A4	55	M10	20.0	1.8	5.5	26	6.0
P0093.100-060-A4	60	M10	20.0	1.8	5.5	26	6.0
P0093.120-020-A4	20	M12	24.0	1.8	6.5	-	8.0
P0093.120-025-A4	25	M12	24.0	1.8	6.5	-	8.0
P0093.120-030-A4	30	M12	24.0	1.8	6.5	-	8.0
P0093.120-035-A4	35	M12	24.0	1.8	6.5	30	8.0
P0093.120-040-A4	40	M12	24.0	1.8	6.5	30	8.0
P0093.120-045-A4	45	M12	24.0	1.8	6.5	30	8.0
P0093.120-050-A4	50	M12	24.0	1.8	6.5	30	8.0
P0093.120-060-A4	60	M12	24.0	1.8	6.5	30	8.0
P0093.160-025-A4	25	M16	30.0	1.8	7.5	-	10.0
P0093.160-030-A4	30	M16	30.0	1.8	7.5	-	10.0
P0093.160-035-A4	35	M16	30.0	1.8	7.5	-	10.0
P0093.160-040-A4	40	M16	30.0	1.8	7.5	38	10.0
P0093.160-045-A4	45	M16	30.0	1.8	7.5	38	10.0
P0093.160-050-A4	50	M16	30.0	1.8	7.5	38	10.0
P0093.160-060-A4	60	M16	30.0	1.8	7.5	38	10.0

VENTED SCREWS



P0094.A2



Material

Stainless steel (AISI 304, 1.4301), strength class 60. Ultrasonically cleaned.

Technical Notes

To ISO 7380 (with central vent). Other

sizes available on request.

Tips

These products help eliminate virtual leaks from high vacuum (HV and UHV) systems, thereby improving pump-down times. Trapped gases at the bottom of a tapped

hole are able to escape via the central vent down the middle of the screw.

Order No.	l_1	d_1	d_2	d_3	h_1	h_2	A/F
P0094.030-005-A2	5	M 3	5.7	1.0	1.7	1.0	2
P0094.030-006-A2	6	M 3	5.7	1.0	1.7	1.0	2
P0094.030-008-A2	8	M 3	5.7	1.0	1.7	1.0	2
P0094.030-010-A2	10	M 3	5.7	1.0	1.7	1.0	2
P0094.030-012-A2	12	M 3	5.7	1.0	1.7	1.0	2
P0094.030-016-A2	16	M 3	5.7	1.0	1.7	1.0	2
P0094.040-005-A2	5	M 4	7.6	1.0	2.2	1.3	3
P0094.040-006-A2	6	M 4	7.6	1.0	2.2	1.3	3
P0094.040-008-A2	8	M 4	7.6	1.0	2.2	1.3	3
P0094.040-010-A2	10	M 4	7.6	1.0	2.2	1.3	3
P0094.040-012-A2	12	M 4	7.6	1.0	2.2	1.3	3
P0094.040-016-A2	16	M 4	7.6	1.0	2.2	1.3	3
P0094.040-020-A2	20	M 4	7.6	1.0	2.2	1.3	3
P0094.040-025-A2	25	M 4	7.6	1.0	2.2	1.3	3
P0094.040-030-A2	30	M 4	7.6	1.0	2.2	1.3	3
P0094.040-035-A2	35	M 4	7.6	1.0	2.2	1.3	3
P0094.050-006-A2	6	M 5	9.5	1.3	2.8	1.6	3
P0094.050-008-A2	8	M 5	9.5	1.3	2.8	1.6	3
P0094.050-010-A2	10	M 5	9.5	1.3	2.8	1.6	3
P0094.050-012-A2	12	M 5	9.5	1.3	2.8	1.6	3
P0094.050-016-A2	16	M 5	9.5	1.3	2.8	1.6	3
P0094.050-020-A2	20	M 5	9.5	1.3	2.8	1.6	3
P0094.050-025-A2	25	M 5	9.5	1.3	2.8	1.6	3
P0094.050-030-A2	30	M 5	9.5	1.3	2.8	1.6	3
P0094.050-035-A2	35	M 5	9.5	1.3	2.8	1.6	3
P0094.050-040-A2	40	M 5	9.5	1.3	2.8	1.6	3
P0094.060-008-A2	8	M 6	10.5	1.6	3.3	2.1	4
P0094.060-010-A2	10	M 6	10.5	1.6	3.3	2.1	4
P0094.060-012-A2	12	M 6	10.5	1.6	3.3	2.1	4
P0094.060-016-A2	16	M 6	10.5	1.6	3.3	2.1	4
P0094.060-020-A2	20	M 6	10.5	1.6	3.3	2.1	4
P0094.060-025-A2	25	M 6	10.5	1.6	3.3	2.1	4



Vented Screws - Socket Button Head

hex. drive - 304 stainless

Vented Screws

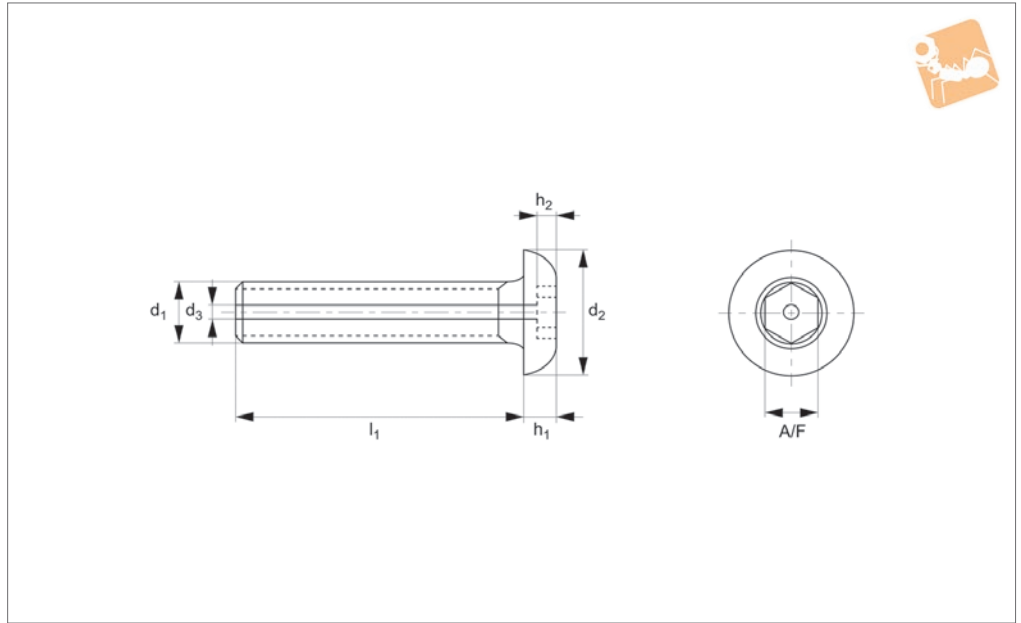


Order No.	l ₁	d ₁	d ₂	d ₃	h ₁	h ₂	A/F
P0094.060-030-A2	30	M 6	10.5	1.6	3.3	2.1	4
P0094.060-035-A2	35	M 6	10.5	1.6	3.3	2.1	4
P0094.060-040-A2	40	M 6	10.5	1.6	3.3	2.1	4
P0094.060-045-A2	45	M 6	10.5	1.6	3.3	2.1	4
P0094.060-050-A2	50	M 6	10.5	1.6	3.3	2.1	4
P0094.080-012-A2	12	M 8	14.0	1.8	4.4	2.6	5
P0094.080-016-A2	16	M 8	14.0	1.8	4.4	2.6	5
P0094.080-020-A2	20	M 8	14.0	1.8	4.4	2.6	5
P0094.080-025-A2	25	M 8	14.0	1.8	4.4	2.6	5
P0094.080-030-A2	30	M 8	14.0	1.8	4.4	2.6	5
P0094.080-035-A2	35	M 8	14.0	1.8	4.4	2.6	5
P0094.080-040-A2	40	M 8	14.0	1.8	4.4	2.6	5
P0094.080-045-A2	45	M 8	14.0	1.8	4.4	2.6	5
P0094.080-050-A2	50	M 8	14.0	1.8	4.4	2.6	5
P0094.080-060-A2	60	M 8	14.0	1.8	4.4	2.6	5
P0094.100-016-A2	16	M10	17.5	1.8	5.5	3.1	6
P0094.100-020-A2	20	M10	17.5	1.8	5.5	3.1	6
P0094.100-025-A2	25	M10	17.5	1.8	5.5	3.1	6
P0094.100-030-A2	30	M10	17.5	1.8	5.5	3.1	6
P0094.100-035-A2	35	M10	17.5	1.8	5.5	3.1	6
P0094.100-040-A2	40	M10	17.5	1.8	5.5	3.1	6
P0094.100-045-A2	45	M10	17.5	1.8	5.5	3.1	6
P0094.100-050-A2	50	M10	17.5	1.8	5.5	3.1	6
P0094.100-060-A2	60	M10	17.5	1.8	5.5	3.1	6
P0094.120-020-A2	20	M12	21.0	1.8	6.6	4.2	8
P0094.120-025-A2	25	M12	21.0	1.8	6.6	4.2	8
P0094.120-030-A2	30	M12	21.0	1.8	6.6	4.2	8
P0094.120-035-A2	35	M12	21.0	1.8	6.6	4.2	8
P0094.120-040-A2	40	M12	21.0	1.8	6.6	4.2	8
P0094.120-045-A2	45	M12	21.0	1.8	6.6	4.2	8
P0094.120-050-A2	50	M12	21.0	1.8	6.6	4.2	8
P0094.120-060-A2	60	M12	21.0	1.8	6.6	4.2	8

VENTED SCREWS



P0094.A4



Material

Stainless steel (AISI 316, 1.4401), strength class 50.
Ultrasonically cleaned.

Technical Notes

To ISO 7380 (with central vent). Other

sizes available on request.

Tips

These products help eliminate virtual leaks from high vacuum (HV and UHV) systems, thereby improving pump-down times. Trapped gases at the bottom of a tapped

hole are able to escape via the central vent down the middle of the screw.

Order No.	l_1	d_1	d_2	d_3	h_1	h_2	A/F
P0094.030-005-A4	5	M 3	5.7	1.0	1.7	1.0	2
P0094.030-006-A4	6	M 3	5.7	1.0	1.7	1.0	2
P0094.030-008-A4	8	M 3	5.7	1.0	1.7	1.0	2
P0094.030-010-A4	10	M 3	5.7	1.0	1.7	1.0	2
P0094.030-012-A4	12	M 3	5.7	1.0	1.7	1.0	2
P0094.030-016-A4	16	M 3	5.7	1.0	1.7	1.0	2
P0094.040-005-A4	5	M 4	7.6	1.0	2.2	1.3	3
P0094.040-006-A4	6	M 4	7.6	1.0	2.2	1.3	3
P0094.040-008-A4	8	M 4	7.6	1.0	2.2	1.3	3
P0094.040-010-A4	10	M 4	7.6	1.0	2.2	1.3	3
P0094.040-012-A4	12	M 4	7.6	1.0	2.2	1.3	3
P0094.040-016-A4	16	M 4	7.6	1.0	2.2	1.3	3
P0094.040-020-A4	20	M 4	7.6	1.0	2.2	1.3	3
P0094.040-025-A4	25	M 4	7.6	1.0	2.2	1.3	3
P0094.040-030-A4	30	M 4	7.6	1.0	2.2	1.3	3
P0094.040-035-A4	35	M 4	7.6	1.0	2.2	1.3	3
P0094.050-006-A4	6	M 5	9.5	1.3	2.8	1.6	3
P0094.050-008-A4	8	M 5	9.5	1.3	2.8	1.6	3
P0094.050-010-A4	10	M 5	9.5	1.3	2.8	1.6	3
P0094.050-012-A4	12	M 5	9.5	1.3	2.8	1.6	3
P0094.050-016-A4	16	M 5	9.5	1.3	2.8	1.6	3
P0094.050-020-A4	20	M 5	9.5	1.3	2.8	1.6	3
P0094.050-025-A4	25	M 5	9.5	1.3	2.8	1.6	3
P0094.050-030-A4	30	M 5	9.5	1.3	2.8	1.6	3
P0094.050-035-A4	35	M 5	9.5	1.3	2.8	1.6	3
P0094.050-040-A4	40	M 5	9.5	1.3	2.8	1.6	3
P0094.060-008-A4	8	M 6	10.5	1.6	3.3	2.1	4
P0094.060-010-A4	10	M 6	10.5	1.6	3.3	2.1	4
P0094.060-012-A4	12	M 6	10.5	1.6	3.3	2.1	4
P0094.060-016-A4	16	M 6	10.5	1.6	3.3	2.1	4
P0094.060-020-A4	20	M 6	10.5	1.6	3.3	2.1	4
P0094.060-025-A4	25	M 6	10.5	1.6	3.3	2.1	4



Vented Screws - Socket Button Head

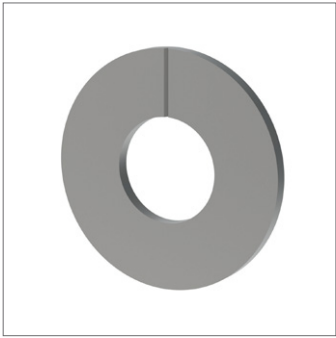
hex. drive - 316 stainless

Vented Screws

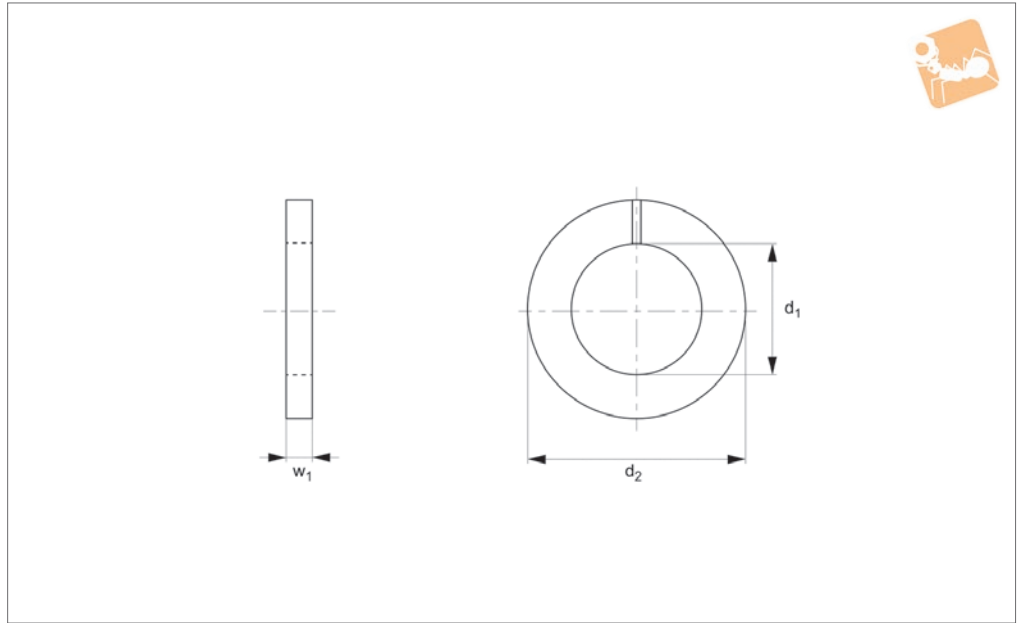


Order No.	l ₁	d ₁	d ₂	d ₃	h ₁	h ₂	A/F
P0094.060-030-A4	30	M 6	10.5	1.6	3.3	2.1	4
P0094.060-035-A4	35	M 6	10.5	1.6	3.3	2.1	4
P0094.060-040-A4	40	M 6	10.5	1.6	3.3	2.1	4
P0094.060-045-A4	45	M 6	10.5	1.6	3.3	2.1	4
P0094.060-050-A4	50	M 6	10.5	1.6	3.3	2.1	4
P0094.080-012-A4	12	M 8	14.0	1.8	4.4	2.6	5
P0094.080-016-A4	16	M 8	14.0	1.8	4.4	2.6	5
P0094.080-020-A4	20	M 8	14.0	1.8	4.4	2.6	5
P0094.080-025-A4	25	M 8	14.0	1.8	4.4	2.6	5
P0094.080-030-A4	30	M 8	14.0	1.8	4.4	2.6	5
P0094.080-035-A4	35	M 8	14.0	1.8	4.4	2.6	5
P0094.080-040-A4	40	M 8	14.0	1.8	4.4	2.6	5
P0094.080-045-A4	45	M 8	14.0	1.8	4.4	2.6	5
P0094.080-050-A4	50	M 8	14.0	1.8	4.4	2.6	5
P0094.080-060-A4	60	M 8	14.0	1.8	4.4	2.6	5
P0094.100-016-A4	16	M10	17.5	1.8	5.5	3.1	6
P0094.100-020-A4	20	M10	17.5	1.8	5.5	3.1	6
P0094.100-025-A4	25	M10	17.5	1.8	5.5	3.1	6
P0094.100-030-A4	30	M10	17.5	1.8	5.5	3.1	6
P0094.100-035-A4	35	M10	17.5	1.8	5.5	3.1	6
P0094.100-040-A4	40	M10	17.5	1.8	5.5	3.1	6
P0094.100-045-A4	45	M10	17.5	1.8	5.5	3.1	6
P0094.100-050-A4	50	M10	17.5	1.8	5.5	3.1	6
P0094.100-060-A4	60	M10	17.5	1.8	5.5	3.1	6
P0094.120-020-A4	20	M12	21.0	1.8	6.6	4.2	8
P0094.120-025-A4	25	M12	21.0	1.8	6.6	4.2	8
P0094.120-030-A4	30	M12	21.0	1.8	6.6	4.2	8
P0094.120-035-A4	35	M12	21.0	1.8	6.6	4.2	8
P0094.120-040-A4	40	M12	21.0	1.8	6.6	4.2	8
P0094.120-045-A4	45	M12	21.0	1.8	6.6	4.2	8
P0094.120-050-A4	50	M12	21.0	1.8	6.6	4.2	8
P0094.120-060-A4	60	M12	21.0	1.8	6.6	4.2	8

VENTED SCREWS



P0097.A2



Material

Stainless steel (AISI 303, 1.4305).
Ultrasonically cleaned.

Technical Notes

To DIN 125A (with vent). Coatings

available: silver, gold, nickel and others.

Tips

Vented flat washers are key components in helping to eliminate virtual leaks from high vacuum (HV and UHV) systems. They

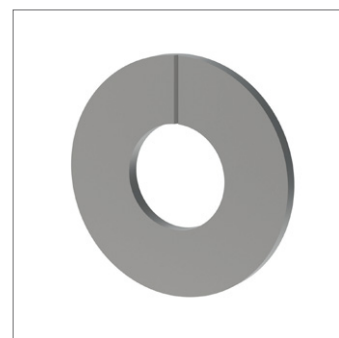
prevent gases being trapped beneath a fastener head along the screw shaft.

Order No.	For thread	d ₁	d ₂	w ₁
P0097.020-A2	M 2,0	2.2	5.0	0.3
P0097.025-A2	M 2,5	2.7	6.0	0.5
P0097.030-A2	M 3,0	3.2	7.0	0.5
P0097.040-A2	M 4,0	4.3	9.0	0.8
P0097.050-A2	M 5,0	5.3	10.0	1.0
P0097.060-A2	M 6,0	6.4	12.0	1.6
P0097.080-A2	M 8,0	8.4	16.0	1.6
P0097.100-A2	M10,0	10.5	20.0	2.0
P0097.120-A2	M12,0	13.0	24.0	2.5
P0097.160-A2	M16,0	17.0	30.0	3.0
P0097.200-A2	M20,0	21.0	37.0	3.0

Vented Plain Washers

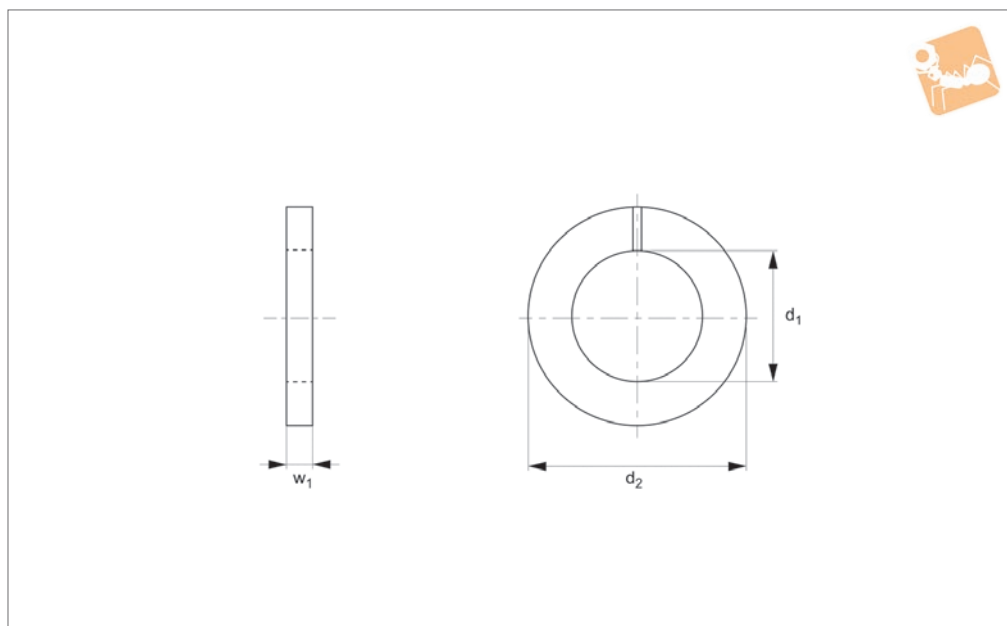
316 stainless

Vented Screws



P0097.A4

VENTED SCREWS



Material

Stainless steel (AISI 316, 1.4401).
Ultrasonically cleaned.

or ultrasonic cleaning available on request. Coatings available: silver, gold, nickel and others.

helping to eliminate virtual leaks from high vacuum (HV and UHV) systems. They prevent gases being trapped beneath a fastener head along the screw shaft.

Technical Notes

To DIN 125A (with vent). Passivation and/

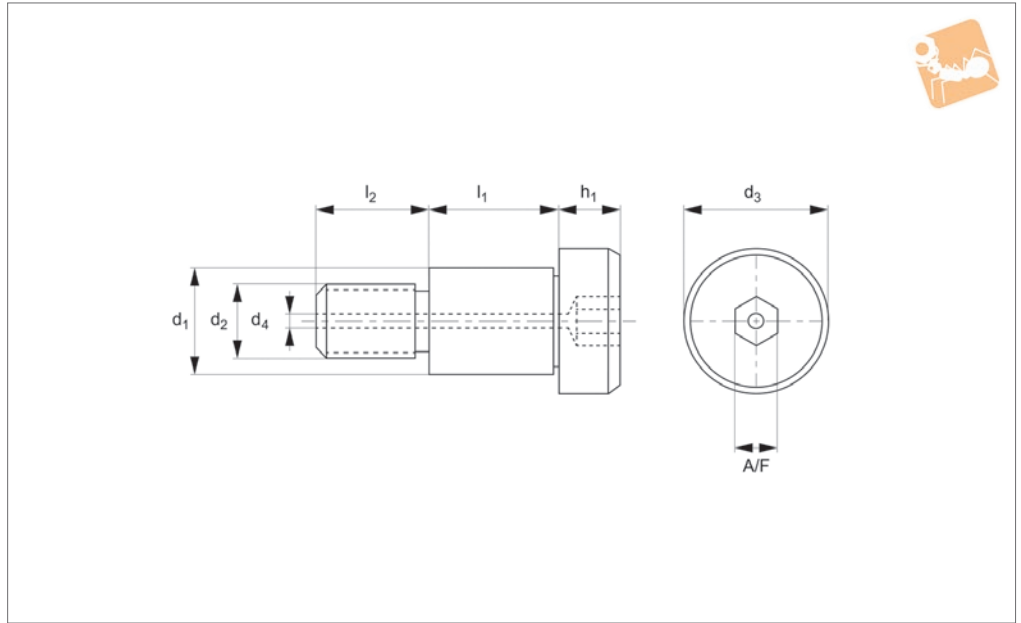
Tips

Vented flat washers are key components in

Order No.	For thread	d ₁	d ₂	w ₁
P0097.020-A4	M 2,0	2.2	4.0	0.3
P0097.025-A4	M 2,5	2.7	6.0	0.5
P0097.030-A4	M 3,0	3.2	7.0	0.5
P0097.040-A4	M 4,0	4.3	9.0	0.8
P0097.050-A4	M 5,0	5.3	10.0	1.0
P0097.060-A4	M 6,0	6.4	12.0	1.6
P0097.080-A4	M 8,0	8.4	16.0	1.6
P0097.100-A4	M10,0	10.5	20.0	2.0
P0097.120-A4	M12,0	13.0	24.0	2.5
P0097.160-A4	M16,0	17.0	30.0	3.0
P0097.200-A4	M20,0	21.0	37.0	3.0



P0098.A2



Material

Stainless steel (AISI 303, 1.4305), strength class 60.
Ultrasonically cleaned.

Technical Notes

Other sizes available on request.

Tips

These products help eliminate virtual leaks from high vacuum (HV and UHV) systems, thereby improving pump-down times. Trapped gases at the bottom of a tapped hole are able to escape via the central vent

down the middle of the screw.

Order No.	l_1 +0.05 -0.0	d_1 +0 -0.025	d_2	d_3	d_4	h_1	l_2	A/F
P0098.030-010-A2	10	3	M 2	5.0	0.7	2.0	4.0	2
P0098.030-016-A2	16	3	M 2	5.0	0.7	2.0	4.0	2
P0098.030-020-A2	20	3	M 2	5.0	0.7	2.0	4.0	2
P0098.040-004-A2	4	4	M 3	6.0	1.0	3.0	4.0	2
P0098.040-005-A2	5	4	M 3	6.0	1.0	3.0	4.0	2
P0098.040-006-A2	6	4	M 3	6.0	1.0	3.0	4.0	2
P0098.040-008-A2	8	4	M 3	6.0	1.0	3.0	4.0	2
P0098.040-010-A2	10	4	M 3	6.0	1.0	3.0	4.0	2
P0098.040-012-A2	12	4	M 3	6.0	1.0	3.0	4.0	2
P0098.040-016-A2	16	4	M 3	6.0	1.0	3.0	4.0	2
P0098.040-020-A2	20	4	M 3	6.0	1.0	3.0	4.0	2
P0098.040-035-A2	35	4	M 3	6.0	1.0	3.0	4.0	2
P0098.050-004-A2	4	5	M 4	8.0	1.0	4.0	5.0	3
P0098.050-005-A2	5	5	M 4	8.0	1.0	4.0	5.0	3
P0098.050-006-A2	6	5	M 4	8.0	1.0	4.0	5.0	3
P0098.050-007-A2	7	5	M 4	8.0	1.0	4.0	5.0	3
P0098.050-008-A2	8	5	M 4	8.0	1.0	4.0	5.0	3
P0098.050-010-A2	10	5	M 4	8.0	1.0	4.0	5.0	3
P0098.050-012-A2	12	5	M 4	8.0	1.0	4.0	5.0	3
P0098.050-014-A2	14	5	M 4	8.0	1.0	4.0	5.0	3
P0098.050-016-A2	16	5	M 4	8.0	1.0	4.0	5.0	3
P0098.050-020-A2	20	5	M 4	8.0	1.0	4.0	5.0	3
P0098.050-025-A2	25	5	M 4	8.0	1.0	4.0	5.0	3
P0098.050-030-A2	30	5	M 4	8.0	1.0	4.0	5.0	3
P0098.060-004-A2	4	6	M 5	10.0	1.3	5.0	6.0	3
P0098.060-005-A2	5	6	M 5	10.0	1.3	5.0	6.0	3
P0098.060-006-A2	6	6	M 5	10.0	1.3	5.0	6.0	3
P0098.060-008-A2	8	6	M 5	10.0	1.3	5.0	6.0	3
P0098.060-010-A2	10	6	M 5	10.0	1.3	5.0	6.0	3
P0098.060-012-A2	12	6	M 5	10.0	1.3	5.0	6.0	3
P0098.060-014-A2	14	6	M 5	10.0	1.3	5.0	6.0	3



Vented Shoulder Screws - Cap Head

hex. drive - 303 stainless

Vented Screws



Order No.	l_1 +0.05 -0.0	d_1 +0 -0.025	d_2	d_3	d_4	h_1	l_2	A/F
P0098.060-020-A2	20	6	M 5	10.0	1.3	5.0	6.0	3
P0098.060-025-A2	25	6	M 5	10.0	1.3	5.0	6.0	3
P0098.060-030-A2	30	6	M 5	10.0	1.3	5.0	6.0	3
P0098.080-005-A2	5	8	M 6	12.0	1.6	6.0	11.0	4
P0098.080-006-A2	6	8	M 6	12.0	1.6	6.0	11.0	4
P0098.080-008-A2	8	8	M 6	12.0	1.6	6.0	11.0	4
P0098.080-010-A2	10	8	M 6	12.0	1.6	6.0	11.0	4
P0098.080-012-A2	12	8	M 6	12.0	1.6	6.0	11.0	4
P0098.080-014-A2	14	8	M 6	12.0	1.6	6.0	11.0	4
P0098.080-016-A2	16	8	M 6	12.0	1.6	6.0	11.0	4
P0098.080-020-A2	20	8	M 6	12.0	1.6	6.0	11.0	4
P0098.080-025-A2	25	8	M 6	12.0	1.6	6.0	11.0	4
P0098.080-045-A2	45	8	M 6	12.0	1.6	6.0	11.0	4
P0098.100-008-A2	8	10	M 8	14.0	1.8	7.0	12.0	5
P0098.100-010-A2	10	10	M 8	14.0	1.8	7.0	12.0	5
P0098.100-012-A2	12	10	M 8	14.0	1.8	7.0	12.0	5
P0098.100-016-A2	16	10	M 8	14.0	1.8	7.0	12.0	5
P0098.100-020-A2	20	10	M 8	14.0	1.8	7.0	12.0	5
P0098.100-030-A2	30	10	M 8	14.0	1.8	7.0	12.0	5
P0098.120-012-A2	12	12	M10	20.0	1.8	8.0	16.0	6
P0098.120-025-A2	25	12	M10	20.0	1.8	8.0	16.0	6
P0098.160-100-A2	100	16	M12	24.0	1.8	11.0	18.0	8

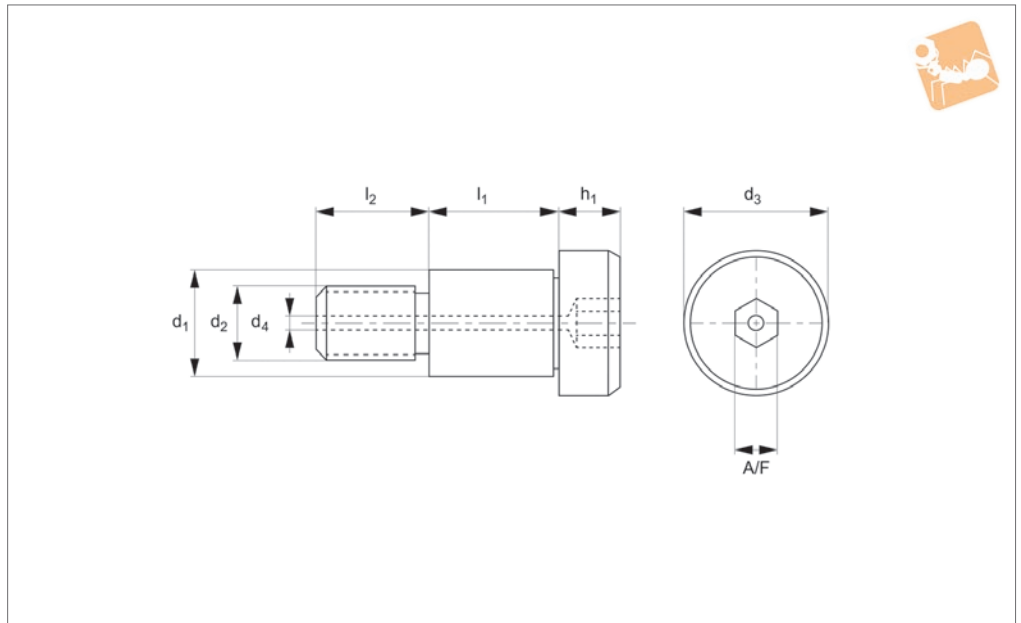
VENTED SCREWS



VENTED SCREWS



P0098.A4



Material

Stainless steel (AISI 316, 1.4401), strength class 60.
Ultrasonically cleaned.

Technical Notes

Other sizes available on request.

Tips

These products help eliminate virtual leaks from high vacuum (HV and UHV) systems, thereby improving pump-down times. Trapped gases at the bottom of a tapped hole are able to escape via the central vent

down the middle of the screw.

Order No.	l_1 +0.05 -0.0	d_1 +0 -0.025	d_2	d_3	d_4	h_1	l_2	A/F
P0098.030-010-A4	10	3	M 2	5.0	0.7	2.0	4.0	2
P0098.030-016-A4	16	3	M 2	5.0	0.7	2.0	4.0	2
P0098.030-020-A4	20	3	M 2	5.0	0.7	2.0	4.0	2
P0098.040-004-A4	4	4	M 3	6.0	1.0	3.0	4.0	2
P0098.040-005-A4	5	4	M 3	6.0	1.0	3.0	4.0	2
P0098.040-006-A4	6	4	M 3	6.0	1.0	3.0	4.0	2
P0098.040-008-A4	8	4	M 3	6.0	1.0	3.0	4.0	2
P0098.040-010-A4	10	4	M 3	6.0	1.0	3.0	4.0	2
P0098.040-012-A4	12	4	M 3	6.0	1.0	3.0	4.0	2
P0098.040-016-A4	16	4	M 3	6.0	1.0	3.0	4.0	2
P0098.040-020-A4	20	4	M 3	6.0	1.0	3.0	4.0	2
P0098.040-035-A4	35	4	M 3	6.0	1.0	3.0	4.0	2
P0098.050-004-A4	4	5	M 4	8.0	1.0	4.0	5.0	3
P0098.050-005-A4	5	5	M 4	8.0	1.0	4.0	5.0	3
P0098.050-006-A4	6	5	M 4	8.0	1.0	4.0	5.0	3
P0098.050-007-A4	7	5	M 4	8.0	1.0	4.0	5.0	3
P0098.050-008-A4	8	5	M 4	8.0	1.0	4.0	5.0	3
P0098.050-010-A4	10	5	M 4	8.0	1.0	4.0	5.0	3
P0098.050-012-A4	12	5	M 4	8.0	1.0	4.0	5.0	3
P0098.050-014-A4	14	5	M 4	8.0	1.0	4.0	5.0	3
P0098.050-016-A4	16	5	M 4	8.0	1.0	4.0	5.0	3
P0098.050-020-A4	20	5	M 4	8.0	1.0	4.0	5.0	3
P0098.050-025-A4	25	5	M 4	8.0	1.0	4.0	5.0	3
P0098.050-030-A4	30	5	M 4	8.0	1.0	4.0	5.0	3
P0098.060-004-A4	4	6	M 5	10.0	1.3	5.0	6.0	3
P0098.060-005-A4	5	6	M 5	10.0	1.3	5.0	6.0	3
P0098.060-006-A4	6	6	M 5	10.0	1.3	5.0	6.0	3
P0098.060-008-A4	8	6	M 5	10.0	1.3	5.0	6.0	3
P0098.060-010-A4	10	6	M 5	10.0	1.3	5.0	6.0	3
P0098.060-012-A4	12	6	M 5	10.0	1.3	5.0	6.0	3
P0098.060-014-A4	14	6	M 5	10.0	1.3	5.0	6.0	3



Vented Shoulder Screws - Cap Head

hex. drive - 316 stainless

Vented Screws



Order No.	l_1 +0.05 -0.0	d_1 +0 -0.025	d_2	d_3	d_4	h_1	l_2	A/F
P0098.060-020-A4	20	6	M 5	10.0	1.3	5.0	6.0	3
P0098.060-025-A4	25	6	M 5	10.0	1.3	5.0	6.0	3
P0098.060-030-A4	30	6	M 5	10.0	1.3	5.0	6.0	3
P0098.080-005-A4	5	8	M 6	12.0	1.6	6.0	11.0	4
P0098.080-006-A4	6	8	M 6	12.0	1.6	6.0	11.0	4
P0098.080-008-A4	8	8	M 6	12.0	1.6	6.0	11.0	4
P0098.080-010-A4	10	8	M 6	12.0	1.6	6.0	11.0	4
P0098.080-012-A4	12	8	M 6	12.0	1.6	6.0	11.0	4
P0098.080-014-A4	14	8	M 6	12.0	1.6	6.0	11.0	4
P0098.080-016-A4	16	8	M 6	12.0	1.6	6.0	11.0	4
P0098.080-020-A4	20	8	M 6	12.0	1.6	6.0	11.0	4
P0098.080-025-A4	25	8	M 6	12.0	1.6	6.0	11.0	4
P0098.080-045-A4	45	8	M 6	12.0	1.6	6.0	11.0	4
P0098.100-008-A4	8	10	M 8	14.0	1.8	7.0	12.0	5
P0098.100-010-A4	10	10	M 8	14.0	1.8	7.0	12.0	5
P0098.100-012-A4	12	10	M 8	14.0	1.8	7.0	12.0	5
P0098.100-016-A4	16	10	M 8	14.0	1.8	7.0	12.0	5
P0098.100-020-A4	20	10	M 8	14.0	1.8	7.0	12.0	5
P0098.100-030-A4	30	10	M 8	14.0	1.8	7.0	12.0	5
P0098.120-012-A4	12	12	M10	20.0	1.8	8.0	12.0	6
P0098.120-025-A4	25	12	M10	20.0	1.8	8.0	12.0	6
P0098.160-100-A4	100	16	M12	24.0	1.8	11.0	12.0	8

VENTED SCREWS