



Flexure Pivot Bearings from Automation Components

Flexural pivot bearings are limited rotation bearings for applications that do not allow lubrication but also require precision, repeatability and infinite life.

Angle of rotations are graded into three series:

- Series 10 - $\pm 15^\circ$ (mainly for light loads)
- Series 20 - $\pm 7.5^\circ$ (mainly for medium-heavy loads)
- Series 30 - $\pm 3.7^\circ$ (mainly for heavy loads)

They have a range of torsional stiffness depending on the bearing diameter. The bearing consists of two stainless steel sleeves held in position by three leaf springs on two planes. There is no contact between the sleeves (eliminating friction) and the springs provide the pivotal action which is inherently self centring and requires no lubrication.

Material

The sleeves in a Flexure Pivot bearing are made from 416 Stainless Steel. The spring and core are made from Stainless Steel (410 and 420) with a braze alloy (AMS4765).

Special pivot bearings can be manufactured with angle of rotation up to $\pm 50^\circ$ and for heavy loads.

Single Ended Pivot Bearings

Here one end is fixed and the other end is free to rotate - this type is used most widely as they support overhung loads.

Single Ended Pivot Bearings are frictionless with infinite life (see our technical graphs for life cycle curves).



Double Ended Pivot Bearings

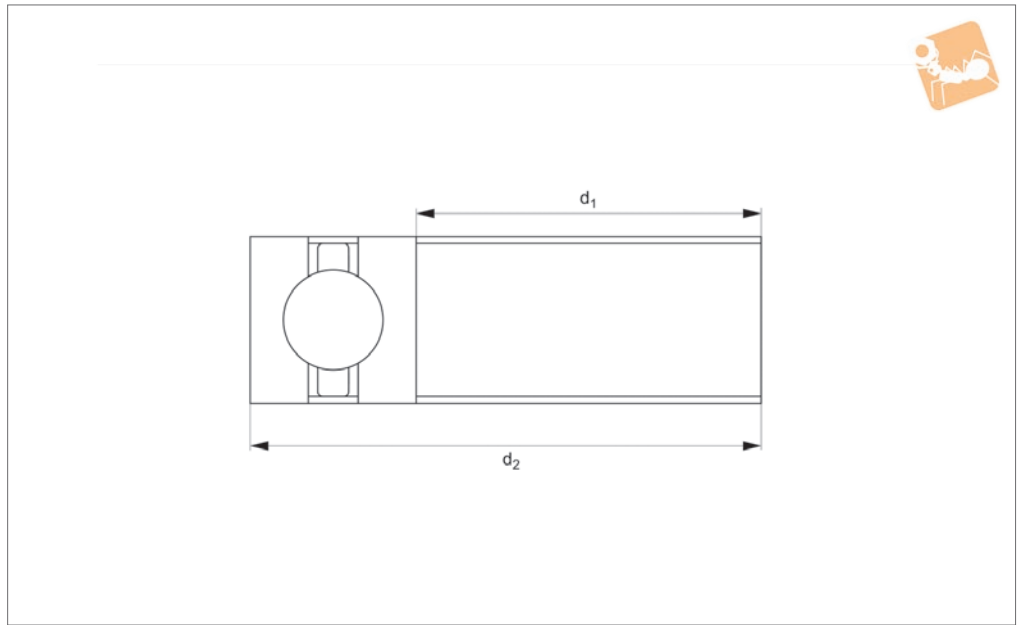
In these applications both ends are fixed and the centre of the bearing is free to rotate - this supports suspended loads.

Double Ended Pivot Bearings are frictionless with infinite life (see our technical graphs for life cycle curves).





R4200



RING BEARINGS

Material

Corrosion resistant split bearing rings.
Ball bearings retained in plastic cage.

Tips

Our split bearings are compatible with most other manufacturers and are very cost

competitive. Please ask us to 'cross reference' if required.

| Order No. | d_1 inch | d_1 mm | d_2 mm | Dyn. load C_{ax} kN max. | Dyn. load C_{rad} kN max. | Static load $C_{0 ax}$ kN max. | Static load $C_{0 rad}$ kN max. | Speed rpm max. | Weight kg |
|-----------|---------------|-------------|-------------|----------------------------------|-----------------------------------|--------------------------------------|---------------------------------------|----------------------|--------------|
| R4200.040 | 4 | 101.60 | 120.65 | 9.3 | 8.5 | 37.0 | 14.7 | 1500 | 0.18 |
| R4200.042 | 4¼ | 107.95 | 127.00 | 9.6 | 8.7 | 39.5 | 15.8 | 1410 | 0.19 |
| R4200.045 | 4½ | 114.30 | 133.35 | 9.7 | 8.8 | 41.0 | 16.5 | 1340 | 0.20 |
| R4200.047 | 4¾ | 120.65 | 139.70 | 10.0 | 9.0 | 44.0 | 17.5 | 1270 | 0.21 |
| R4200.050 | 5 | 127.00 | 146.05 | 10.10 | 9.1 | 45.5 | 18.2 | 1200 | 0.22 |
| R4200.055 | 5½ | 139.70 | 158.75 | 10.60 | 9.6 | 51.0 | 20.3 | 1090 | 0.24 |
| R4200.060 | 6 | 152.40 | 171.45 | 10.90 | 9.8 | 55.0 | 22.1 | 1000 | 0.26 |
| R4200.065 | 6½ | 165.10 | 184.15 | 11.20 | 10.1 | 60.0 | 23.9 | 920 | 0.28 |
| R4200.070 | 7 | 177.80 | 196.85 | 11.50 | 10.4 | 64.0 | 25.5 | 860 | 0.30 |
| R4200.075 | 7½ | 190.50 | 209.55 | 11.70 | 10.6 | 68.0 | 27.5 | 800 | 0.32 |
| R4200.080 | 8 | 203.20 | 222.25 | 12.00 | 10.9 | 73.0 | 29.0 | 750 | 0.34 |
| R4200.085 | 8½ | 215.90 | 234.95 | 12.20 | 11.1 | 77.0 | 31.0 | 710 | 0.36 |
| R4200.090 | 9 | 228.60 | 247.65 | 12.50 | 11.3 | 82.0 | 32.5 | 670 | 0.38 |
| R4200.095 | 9½ | 241.30 | 260.35 | 12.80 | 11.6 | 87.0 | 35.0 | 630 | 0.39 |
| R4200.100 | 10 | 254.00 | 273.05 | 13.00 | 11.8 | 91.0 | 36.5 | 600 | 0.41 |
| R4200.105 | 10½ | 266.70 | 285.75 | 13.30 | 12.0 | 96.0 | 38.5 | 570 | 0.43 |
| R4200.110 | 11 | 279.40 | 298.45 | 13.50 | 12.2 | 100.0 | 40.0 | 550 | 0.45 |
| R4200.115 | 11½ | 292.10 | 311.15 | 13.70 | 12.4 | 105.0 | 42.0 | 520 | 0.47 |
| R4200.120 | 12 | 304.80 | 323.85 | 13.90 | 12.6 | 109.0 | 43.5 | 500 | 0.49 |
| R4200.130 | 13 | 330.20 | 349.25 | 14.30 | 12.9 | 118.0 | 47.0 | 460 | 0.53 |
| R4200.140 | 14 | 355.60 | 374.65 | 14.70 | 13.3 | 127.0 | 51.0 | 430 | 0.56 |
| R4200.150 | 15 | 381.00 | 400.05 | 15.10 | 13.6 | 136.0 | 54.0 | 400 | 0.60 |
| R4200.160 | 16 | 406.40 | 425.45 | 15.40 | 13.9 | 145.0 | 58.0 | 380 | 0.64 |
| R4200.170 | 17 | 431.80 | 450.85 | 15.70 | 14.2 | 154.0 | 62.0 | 350 | 0.68 |
| R4200.180 | 18 | 457.20 | 476.25 | 16.10 | 14.5 | 163.0 | 65.0 | 330 | 0.72 |
| R4200.190 | 19 | 482.60 | 501.65 | 16.40 | 14.8 | 172.0 | 69.0 | 320 | 0.76 |
| R4200.200 | 20 | 508.00 | 527.05 | 16.70 | 15.1 | 181.0 | 72.0 | 300 | 0.79 |
| R4200.210 | 21 | 533.40 | 552.45 | 17.00 | 15.4 | 190.0 | 76.0 | 290 | 0.83 |
| R4200.220 | 22 | 558.80 | 577.85 | 17.30 | 15.6 | 199.0 | 79.0 | 270 | 0.87 |
| R4200.230 | 23 | 584.20 | 603.25 | 17.60 | 15.9 | 208.0 | 83.0 | 260 | 0.91 |
| R4200.240 | 24 | 609.60 | 628.65 | 17.90 | 16.1 | 217.0 | 87.0 | 250 | 0.95 |
| R4200.250 | 25 | 635.00 | 654.05 | 18.10 | 16.4 | 226.0 | 90.0 | 240 | 0.98 |
| R4200.260 | 26 | 660.40 | 679.45 | 18.40 | 16.6 | 235.0 | 94.0 | 230 | 1.02 |
| R4200.270 | 27 | 685.80 | 704.85 | 18.70 | 16.9 | 245.0 | 98.0 | 220 | 1.06 |



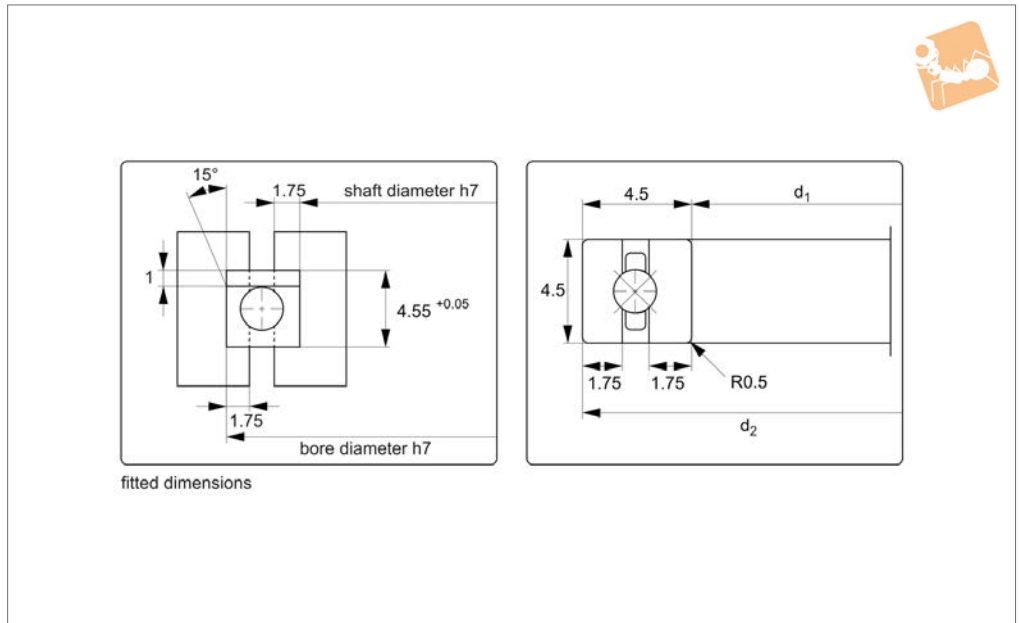
Split Bearing - Slim slim bearing type

Ring Bearings

| Order No. | d ₁ inch | d ₁ mm | d ₂ mm | Dyn. load C _{ax} kN max. | Dyn. load C _{rad} kN max. | Static load C _{0 ax} kN max. | Static load C _{0 rad} kN max. | Speed rpm max. | Weight kg |
|------------------|------------------------|----------------------|----------------------|---|--|---|--|----------------------|--------------|
| R4200.280 | 28 | 711.20 | 730.25 | 18.90 | 17.1 | 255.0 | 101.0 | 210 | 1.10 |
| R4200.290 | 29 | 736.60 | 755.65 | 19.10 | 17.3 | 260.0 | 105.0 | 210 | 1.14 |
| R4200.300 | 30 | 762.00 | 781.05 | 19.30 | 17.5 | 270.0 | 108.0 | 200 | 1.18 |
| R4200.310 | 31 | 787.40 | 806.45 | 19.60 | 17.7 | 280.0 | 112.0 | 190 | 1.22 |
| R4200.320 | 32 | 812.80 | 831.85 | 19.80 | 17.9 | 290.0 | 116.0 | 190 | 1.26 |
| R4200.330 | 33 | 838.20 | 857.25 | 20.00 | 18.1 | 300.0 | 119.0 | 180 | 1.30 |
| R4200.340 | 34 | 863.60 | 882.65 | 31.0 | 18.5 | 305.0 | 123.0 | 180 | 1.34 |



R4204.1



fitted dimensions

Material

Corrosion resistant split bearing rings.
Ball bearings retained in plastic cage.

Technical Notes

Please specify:

- bearing ring material required

- ball bearing material required

- ball cage material required.

See previous page for options.

Tips

Our split bearings are compatible with most other manufacturers and are very cost

competitive. Please ask us to 'cross reference' if required.

Smaller sizes on previous page.

| Order No. | d ₁ | d ₂ | Strength dyn. C N | Strength dyn. C ₀ N | Weight kg |
|-----------|----------------|----------------|----------------------|-----------------------------------|--------------|
| R4204.310 | 310 | 319 | 4.680 | 18.740 | 0.121 |
| R4204.320 | 320 | 329 | 4.740 | 19.340 | 0.125 |
| R4204.330 | 330 | 339 | 4.800 | 19.930 | 0.129 |
| R4204.340 | 340 | 349 | 4.860 | 20.530 | 0.133 |
| R4204.350 | 350 | 359 | 4.920 | 21.120 | 0.137 |
| R4204.360 | 360 | 369 | 4.970 | 21.720 | 0.141 |
| R4204.370 | 370 | 379 | 5.030 | 22.310 | 0.145 |
| R4204.380 | 380 | 389 | 5.090 | 22.910 | 0.149 |
| R4204.390 | 390 | 399 | 5.140 | 23.500 | 0.153 |
| R4204.400 | 400 | 409 | 5.200 | 24.100 | 0.157 |
| R4204.410 | 410 | 419 | 5.240 | 24.700 | 0.161 |
| R4204.420 | 420 | 429 | 5.290 | 25.290 | 0.165 |
| R4204.430 | 430 | 439 | 5.330 | 25.900 | 0.169 |
| R4204.440 | 440 | 449 | 5.380 | 26.480 | 0.173 |
| R4204.450 | 450 | 459 | 5.420 | 27.070 | 0.177 |
| R4204.460 | 460 | 469 | 5.460 | 27.670 | 0.181 |
| R4204.470 | 470 | 479 | 5.510 | 28.260 | 0.185 |
| R4204.480 | 480 | 489 | 5.550 | 28.860 | 0.189 |
| R4204.490 | 490 | 499 | 5.600 | 29.450 | 0.193 |
| R4204.500 | 500 | 509 | 5.640 | 30.050 | 0.197 |
| R4204.510 | 510 | 519 | 5.680 | 30.900 | 0.201 |
| R4204.520 | 520 | 529 | 5.730 | 31.500 | 0.205 |
| R4204.530 | 530 | 539 | 5.770 | 32.100 | 0.209 |
| R4204.540 | 540 | 549 | 5.820 | 32.700 | 0.213 |
| R4204.550 | 550 | 559 | 5.860 | 33.300 | 0.217 |
| R4204.560 | 560 | 569 | 5.900 | 33.900 | 0.221 |
| R4204.570 | 570 | 579 | 5.950 | 34.500 | 0.225 |
| R4204.580 | 580 | 589 | 5.990 | 35.100 | 0.229 |
| R4204.590 | 590 | 599 | 6.040 | 35.700 | 0.233 |
| R4204.600 | 600 | 609 | 6.080 | 36.300 | 0.237 |
| R4204.610 | 610 | 619 | 6.130 | 36.900 | 0.241 |



Split Bearing - Supra Slim

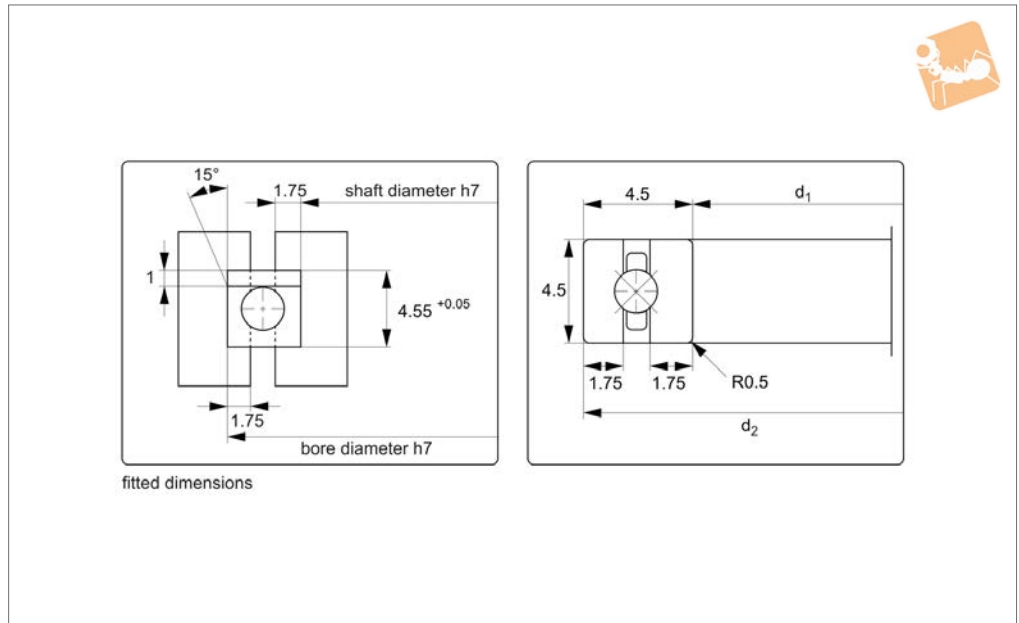
thin ring bearing type

Ring Bearings

| Order No. | d ₁ | d ₂ | Strength dyn. C N | Strength dyn. C ₀ N | Weight kg |
|------------------|----------------|----------------|----------------------|-----------------------------------|--------------|
| R4204.620 | 620 | 629 | 6.180 | 37.500 | 0.245 |
| R4204.630 | 630 | 639 | 6.230 | 38.100 | 0.249 |
| R4204.640 | 640 | 649 | 6.280 | 38.700 | 0.253 |



R4204



Material

Corrosion resistant split bearing rings.
Ball bearings retained in plastic cage.

Technical Notes

Please specify:

- bearing ring material required

- ball bearing material required

- ball cage material required.

See previous page for options.

Tips

Our split bearings are compatible with most other manufacturers and are very cost

competitive. Please ask us to 'cross reference' if required.

Larger sizes on next page.

| Order No. | d ₁ | d ₂ | Strength dyn. C N | Strength dyn. C ₀ N | Weight kg |
|-----------|----------------|----------------|----------------------|-----------------------------------|--------------|
| R4204.035 | 35 | 44 | 2.180 | 2.280 | 0.014 |
| R4204.040 | 40 | 49 | 2.270 | 2.570 | 0.016 |
| R4204.045 | 45 | 54 | 2.360 | 2.850 | 0.018 |
| R4204.050 | 50 | 59 | 2.450 | 3.140 | 0.020 |
| R4204.055 | 55 | 64 | 2.540 | 3.420 | 0.022 |
| R4204.060 | 60 | 69 | 2.630 | 3.710 | 0.024 |
| R4204.065 | 65 | 74 | 2.720 | 3.990 | 0.025 |
| R4204.070 | 70 | 79 | 2.810 | 4.310 | 0.027 |
| R4204.075 | 75 | 84 | 2.870 | 4.600 | 0.029 |
| R4204.080 | 80 | 89 | 2.930 | 4.890 | 0.031 |
| R4204.085 | 85 | 94 | 2.990 | 5.180 | 0.033 |
| R4204.090 | 90 | 99 | 3.050 | 5.500 | 0.035 |
| R4204.095 | 95 | 104 | 3.110 | 5.790 | 0.037 |
| R4204.100 | 100 | 109 | 3.170 | 6.080 | 0.039 |
| R4204.110 | 110 | 119 | 3.260 | 6.660 | 0.043 |
| R4204.120 | 120 | 129 | 3.360 | 7.240 | 0.047 |
| R4204.130 | 130 | 139 | 3.450 | 7.910 | 0.051 |
| R4204.140 | 140 | 149 | 3.550 | 8.500 | 0.055 |
| R4204.150 | 150 | 159 | 3.640 | 9.080 | 0.059 |
| R4204.160 | 160 | 169 | 3.720 | 9.670 | 0.062 |
| R4204.170 | 170 | 179 | 3.810 | 10.260 | 0.066 |
| R4204.180 | 180 | 189 | 3.890 | 10.920 | 0.070 |
| R4204.190 | 190 | 199 | 3.980 | 11.500 | 0.074 |
| R4204.200 | 200 | 209 | 4.060 | 12.100 | 0.078 |
| R4204.210 | 210 | 219 | 4.120 | 12.690 | 0.082 |
| R4204.220 | 220 | 229 | 4.170 | 13.280 | 0.086 |
| R4204.230 | 230 | 239 | 4.230 | 13.870 | 0.090 |
| R4204.240 | 240 | 249 | 4.290 | 14.580 | 0.094 |
| R4204.250 | 250 | 259 | 4.350 | 15.170 | 0.098 |
| R4204.260 | 260 | 269 | 4.400 | 15.770 | 0.102 |
| R4204.270 | 270 | 279 | 4.460 | 16.360 | 0.106 |



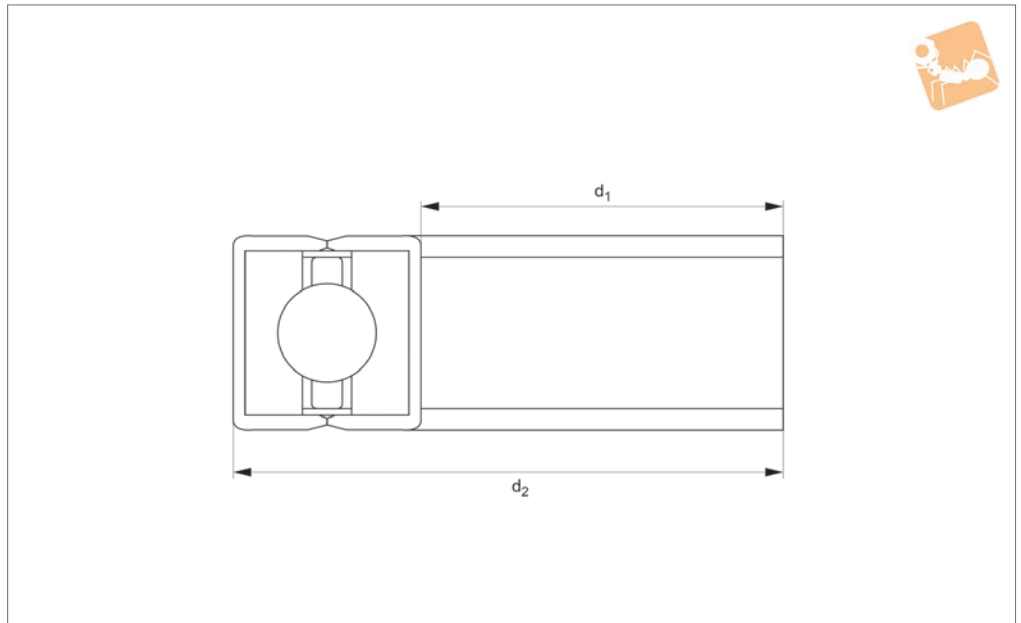
Split Bearing - Supra Slim thin ring bearing type

Ring Bearings

| Order No. | d ₁ | d ₂ | Strength dyn. C N | Strength dyn. C ₀ N | Weight kg |
|------------------|----------------|----------------|----------------------|-----------------------------------|--------------|
| R4204.280 | 280 | 289 | 4.520 | 16.960 | 0.110 |
| R4204.290 | 290 | 299 | 4.570 | 17.550 | 0.113 |
| R4204.300 | 300 | 309 | 4.630 | 18.150 | 0.117 |



R4205



RING BEARINGS

Material

Corrosion resistant split bearing rings.
Ball bearings retained in plastic cage.

Tips

Our split bearings are compatible with most other manufacturers and are very cost

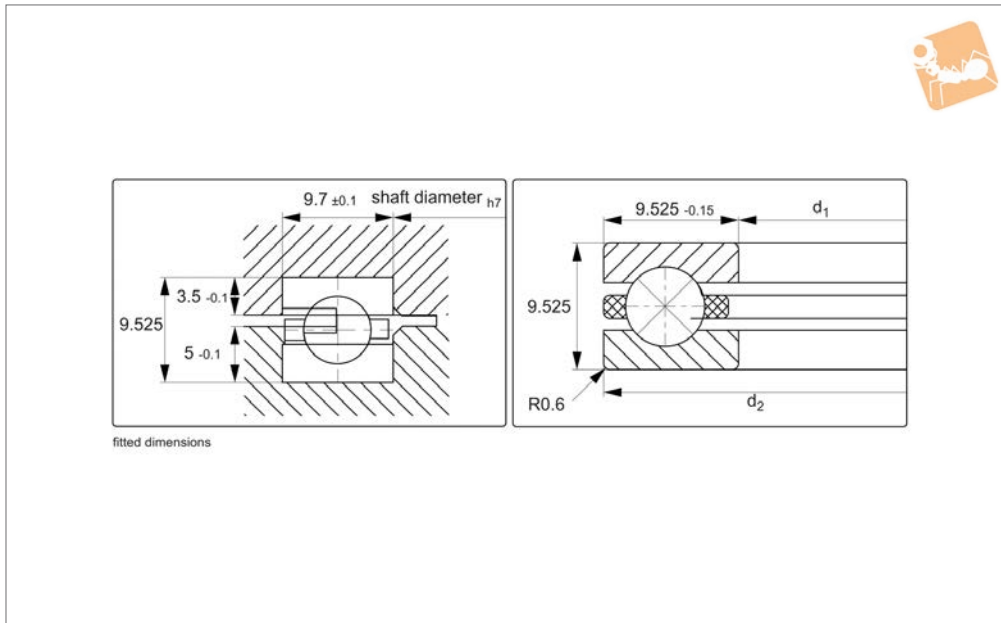
competitive. Please ask us to 'cross reference' if required.

| Order No. | d_1 & d_3 mm | d_2 mm | d_4 mm | Dyn. load C_{ax} kN max. | Dyn. load C_{rad} kN max. | Speed min.^{-1} max. | Static load C_{0ax} kN max. | Static load C_{0rad} kN max. | Weight kg |
|-----------|---------------------|-------------|-------------|----------------------------------|-----------------------------------|-------------------------------------|-------------------------------------|--------------------------------------|--------------|
| R4205.070 | 175.0 | 199.65 | 199.5 | 10.4 | 9.4 | 870 | 57.6 | 23.0 | 0.32 |
| R4205.075 | 187.7 | 212.35 | 212.20 | 10.5 | 9.5 | 810 | 61.2 | 24.8 | 0.34 |
| R4205.080 | 200.4 | 225.05 | 224.9 | 10.8 | 9.8 | 760 | 65.7 | 26.1 | 0.36 |
| R4205.085 | 213.1 | 237.75 | 237.6 | 11.0 | 10.0 | 720 | 69.3 | 27.9 | 0.38 |
| R4205.090 | 225.8 | 250.45 | 250.3 | 11.3 | 10.2 | 680 | 73.8 | 29.3 | 0.41 |
| R4205.095 | 238.5 | 263.15 | 263.0 | 11.5 | 10.4 | 640 | 78.3 | 31.5 | 0.43 |
| R4205.100 | 251.2 | 275.85 | 275.7 | 11.7 | 10.6 | 610 | 81.9 | 32.9 | 0.45 |
| R4205.105 | 263.9 | 288.55 | 288.4 | 12.0 | 10.8 | 580 | 86.4 | 34.7 | 0.47 |
| R4205.110 | 276.6 | 301.25 | 301.1 | 12.2 | 11.0 | 550 | 90.0 | 36.0 | 0.50 |
| R4205.115 | 289.3 | 313.95 | 313.8 | 12.3 | 11.2 | 530 | 94.5 | 37.8 | 0.52 |
| R4205.120 | 302.0 | 326.65 | 326.5 | 12.5 | 11.3 | 510 | 98.1 | 39.2 | 0.54 |
| R4205.130 | 327.4 | 352.05 | 351.9 | 12.9 | 11.6 | 470 | 106.2 | 42.3 | 0.59 |
| R4205.140 | 352.8 | 377.45 | 377.3 | 13.2 | 12.0 | 430 | 114.3 | 45.9 | 0.63 |
| R4205.150 | 378.2 | 402.85 | 402.7 | 13.6 | 12.2 | 400 | 122.4 | 48.6 | 0.68 |
| R4205.160 | 403.6 | 428.25 | 428.1 | 13.9 | 12.5 | 380 | 130.5 | 52.2 | 0.72 |
| R4205.170 | 429.0 | 453.65 | 453.5 | 14.1 | 12.8 | 360 | 138.6 | 55.8 | 0.77 |
| R4205.180 | 454.4 | 479.05 | 478.9 | 14.5 | 13.0 | 340 | 146.7 | 58.5 | 0.81 |
| R4205.190 | 479.8 | 504.45 | 504.3 | 14.8 | 13.3 | 320 | 154.8 | 62.1 | 0.86 |
| R4205.200 | 505.2 | 529.85 | 529.7 | 15.0 | 13.6 | 300 | 162.9 | 64.8 | 0.90 |
| R4205.210 | 530.6 | 555.25 | 555.1 | 15.3 | 13.9 | 290 | 171.0 | 68.4 | 0.95 |
| R4205.220 | 556.0 | 580.65 | 580.5 | 15.6 | 14.0 | 270 | 179.1 | 71.1 | 0.99 |
| R4205.230 | 581.4 | 606.05 | 605.9 | 15.8 | 14.3 | 260 | 187.2 | 74.7 | 1.04 |
| R4205.240 | 606.8 | 631.45 | 631.3 | 16.1 | 14.5 | 250 | 195.3 | 78.3 | 1.08 |
| R4205.250 | 632.2 | 656.85 | 656.7 | 16.3 | 14.8 | 240 | 203.4 | 81.0 | 1.13 |
| R4205.260 | 657.6 | 682.25 | 682.1 | 16.6 | 14.9 | 230 | 211.5 | 84.6 | 1.17 |
| R4205.270 | 683.0 | 707.65 | 707.5 | 16.8 | 15.2 | 220 | 220.5 | 88.2 | 1.22 |
| R4205.280 | 708.4 | 733.05 | 732.9 | 17.0 | 15.4 | 220 | 229.50 | 90.9 | 1.26 |
| R4205.290 | 733.8 | 758.45 | 758.3 | 17.2 | 15.6 | 210 | 234.0 | 94.5 | 1.31 |
| R4205.300 | 759.2 | 783.85 | 783.7 | 17.4 | 15.8 | 200 | 243.0 | 97.2 | 1.35 |
| R4205.310 | 784.6 | 809.25 | 809.1 | 17.6 | 15.9 | 190 | 252.0 | 100.8 | 1.40 |
| R4205.320 | 810.0 | 834.65 | 834.5 | 17.8 | 16.1 | 190 | 261.0 | 104.4 | 1.44 |
| R4205.330 | 835.4 | 860.05 | 859.9 | 18.0 | 16.3 | 180 | 270.0 | 107.1 | 1.49 |
| R4205.340 | 863.6 | 885.45 | 885.3 | 18.3 | 18.5 | 180 | 274.5 | 110.7 | 1.53 |



Split Bearing - Slim ball thrust bearing type

Ring Bearings



R4208

RING BEARINGS

Material

Corrosion resistant, hardened steel bearing ring and balls 1,4304.
Ball cage - polyamide 12 plastic.

Tips

Our split bearings are compatible with most other manufacturers and are very cost competitive. Please ask us to 'cross reference' if required.

Technical Notes

Preferred sizes.

| Order No. | d_1 inch | d_1 mm | d_2 mm | Dyn. load C_{ax} kN max. | Speed $min.^{-1}$ max. | Static load C_{0ax} kN max. | Weight kg |
|-----------|---------------|-------------|-------------|----------------------------------|------------------------------|-------------------------------------|--------------|
| R4208.070 | 7 | 177.80 | 196.85 | 18.7 | 860 | 128.0 | 0.30 |
| R4208.075 | 7½ | 190.50 | 209.55 | 19.0 | 800 | 136.0 | 0.32 |
| R4208.080 | 8 | 203.20 | 222.25 | 19.5 | 750 | 146.0 | 0.34 |
| R4208.085 | 8½ | 215.90 | 234.95 | 19.8 | 710 | 154.0 | 0.36 |
| R4208.090 | 9 | 228.60 | 247.65 | 20.3 | 670 | 164.0 | 0.38 |
| R4208.095 | 9½ | 241.30 | 260.35 | 20.8 | 630 | 174.0 | 0.39 |
| R4208.100 | 10 | 254.00 | 273.05 | 21.1 | 600 | 182.0 | 0.41 |
| R4208.105 | 10½ | 266.70 | 285.75 | 21.6 | 570 | 192.0 | 0.43 |
| R4208.110 | 11 | 279.40 | 298.45 | 21.9 | 550 | 200.0 | 0.45 |
| R4208.115 | 11½ | 292.10 | 311.15 | 22.3 | 520 | 210.0 | 0.47 |
| R4208.120 | 12 | 304.80 | 323.85 | 22.6 | 500 | 218.0 | 0.49 |
| R4208.130 | 13 | 330.20 | 349.25 | 23.2 | 460 | 236.0 | 0.53 |
| R4208.140 | 14 | 355.60 | 374.65 | 23.9 | 430 | 254.0 | 0.56 |
| R4208.150 | 15 | 381.00 | 400.05 | 24.5 | 400 | 272.0 | 0.60 |
| R4208.160 | 16 | 406.40 | 425.45 | 25.0 | 380 | 290.0 | 0.64 |
| R4208.170 | 17 | 431.80 | 450.85 | 25.5 | 350 | 308.0 | 0.68 |
| R4208.180 | 18 | 457.20 | 476.25 | 26.2 | 330 | 326.0 | 0.72 |
| R4208.190 | 19 | 482.60 | 501.65 | 26.7 | 320 | 344.0 | 0.76 |
| R4208.200 | 20 | 508.00 | 527.05 | 27.1 | 300 | 362.0 | 0.79 |
| R4208.210 | 21 | 533.40 | 552.45 | 27.6 | 290 | 380.0 | 0.83 |
| R4208.220 | 22 | 558.80 | 577.85 | 28.1 | 270 | 398.0 | 0.87 |
| R4208.230 | 23 | 584.20 | 603.25 | 28.6 | 260 | 416.0 | 0.91 |
| R4208.240 | 24 | 609.60 | 628.65 | 29.1 | 250 | 434.0 | 0.95 |
| R4208.250 | 25 | 635.00 | 654.05 | 29.4 | 240 | 452.0 | 0.98 |
| R4208.260 | 26 | 660.40 | 679.45 | 29.9 | 230 | 470.0 | 1.02 |
| R4208.270 | 27 | 685.80 | 704.85 | 30.4 | 220 | 490.0 | 1.06 |
| R4208.280 | 28 | 711.20 | 730.25 | 30.7 | 210 | 510.0 | 1.10 |
| R4208.290 | 29 | 736.60 | 755.65 | 31.0 | 210 | 520.0 | 1.14 |
| R4208.300 | 30 | 762.00 | 781.05 | 31.4 | 200 | 540.0 | 1.18 |
| R4208.310 | 31 | 787.40 | 806.45 | 31.9 | 190 | 560.0 | 1.22 |

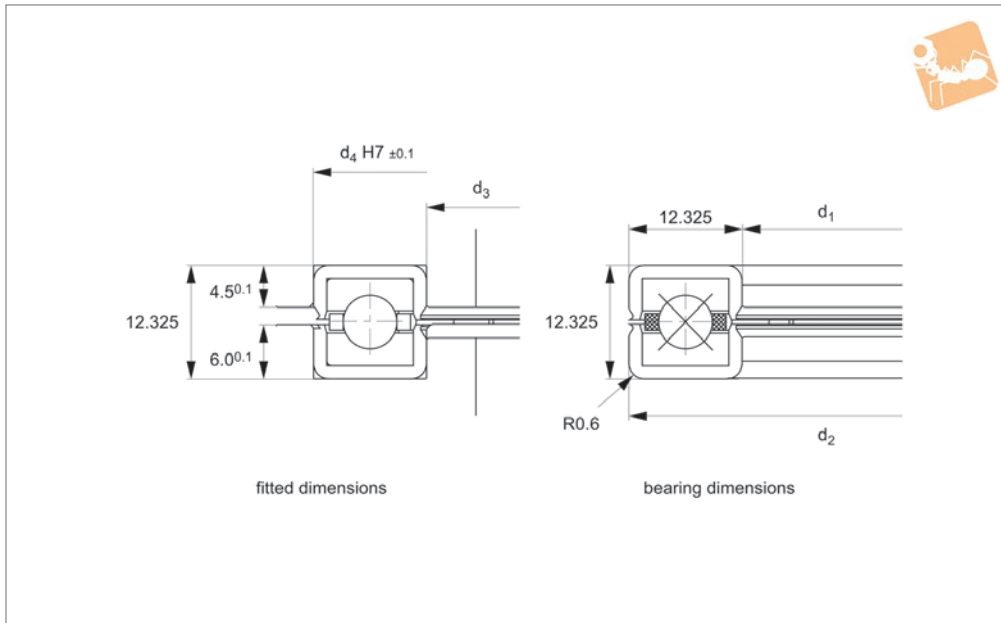


| Order No. | d ₁ inch | d ₁ mm | d ₂ mm | Dyn. load C _{ax} kN max. | Speed min. ⁻¹ max. | Static load C _{0 ax} kN max. | Weight kg |
|------------------|------------------------|----------------------|----------------------|---|-------------------------------------|---|--------------|
| R4208.320 | 32 | 812.80 | 831.85 | 32.2 | 190 | 580.0 | 1.26 |
| R4208.330 | 33 | 838.20 | 857.25 | 32.5 | 180 | 600.0 | 1.30 |
| R4208.340 | 34 | 863.60 | 882.65 | 33.0 | 180 | 610.0 | 1.34 |



Split Bearing - Slim ball thrust bearing type

Ring Bearings



R4209

RING BEARINGS

Material

Corrosion resistant, hardened steel bearing ring and balls 1,4304.
Ball cage - polyamide 12 plastic.

Tips

Our split bearings are compatible with most other manufacturers and are very cost competitive. Please ask us to 'cross reference' if required.

Technical Notes

Metric preferred sizes.

| Order No. | d ₁ & d ₃ mm | d ₂ mm | d ₄ mm | Dyn. load C _{ax} kN max. | Speed min. ⁻¹ max. | Static load C _{0 ax} kN max. | Weight kg |
|-----------|---------------------------------------|----------------------|----------------------|---|-------------------------------------|---|--------------|
| R4209.070 | 175.0 | 199.65 | 200.0 | 16.8 | 870 | 115.2 | 0.32 |
| R4209.075 | 187.7 | 212.35 | 212.7 | 17.1 | 810 | 122.4 | 0.34 |
| R4209.080 | 200.4 | 225.05 | 225.4 | 17.6 | 760 | 131.4 | 0.36 |
| R4209.085 | 213.1 | 237.75 | 238.1 | 17.8 | 720 | 138.6 | 0.38 |
| R4209.090 | 225.8 | 250.45 | 250.8 | 18.3 | 680 | 147.6 | 0.41 |
| R4209.095 | 238.5 | 263.15 | 263.5 | 18.7 | 640 | 156.6 | 0.43 |
| R4209.100 | 251.2 | 275.85 | 276.2 | 19.0 | 610 | 163.8 | 0.45 |
| R4209.105 | 263.9 | 288.55 | 288.9 | 19.4 | 580 | 172.8 | 0.47 |
| R4209.110 | 276.6 | 301.25 | 301.6 | 19.7 | 550 | 180.0 | 0.50 |
| R4209.115 | 289.3 | 313.95 | 314.3 | 20.0 | 530 | 189.0 | 0.52 |
| R4209.120 | 302.0 | 326.65 | 327.0 | 20.3 | 510 | 196.2 | 0.54 |
| R4209.130 | 327.4 | 352.05 | 352.4 | 20.9 | 470 | 212.4 | 0.59 |
| R4209.140 | 352.8 | 377.45 | 377.8 | 21.5 | 430 | 228.6 | 0.63 |
| R4209.150 | 378.2 | 402.85 | 403.2 | 22.1 | 400 | 244.8 | 0.68 |
| R4209.160 | 403.6 | 428.25 | 428.6 | 22.5 | 380 | 261.0 | 0.72 |
| R4209.170 | 429.0 | 453.65 | 454.0 | 23.0 | 360 | 277.2 | 0.77 |
| R4209.180 | 454.4 | 479.05 | 479.4 | 23.6 | 340 | 293.4 | 0.81 |
| R4209.190 | 479.8 | 504.45 | 504.8 | 24.0 | 320 | 309.6 | 0.86 |
| R4209.200 | 505.2 | 529.85 | 530.2 | 24.1 | 300 | 325.8 | 0.90 |
| R4209.210 | 530.6 | 555.25 | 555.6 | 24.8 | 290 | 342.0 | 0.95 |
| R4209.220 | 556.0 | 580.65 | 581.0 | 25.3 | 270 | 358.2 | 0.99 |
| R4209.230 | 581.4 | 606.05 | 606.4 | 25.7 | 260 | 374.4 | 1.04 |
| R4209.240 | 606.8 | 631.45 | 631.8 | 26.2 | 250 | 390.6 | 1.08 |
| R4209.250 | 632.2 | 656.85 | 657.2 | 26.5 | 240 | 406.8 | 1.13 |
| R4209.260 | 657.6 | 682.25 | 682.6 | 26.9 | 230 | 423.0 | 1.17 |
| R4209.270 | 683.0 | 707.65 | 708.0 | 27.4 | 220 | 441.0 | 1.22 |
| R4209.280 | 708.4 | 733.05 | 733.4 | 27.6 | 220 | 459.0 | 1.26 |
| R4209.290 | 733.8 | 758.45 | 758.8 | 27.9 | 210 | 468.0 | 1.31 |
| R4209.300 | 759.2 | 783.85 | 784.2 | 28.3 | 200 | 486.0 | 1.35 |
| R4209.310 | 784.6 | 809.25 | 809.6 | 28.7 | 190 | 504.0 | 1.40 |



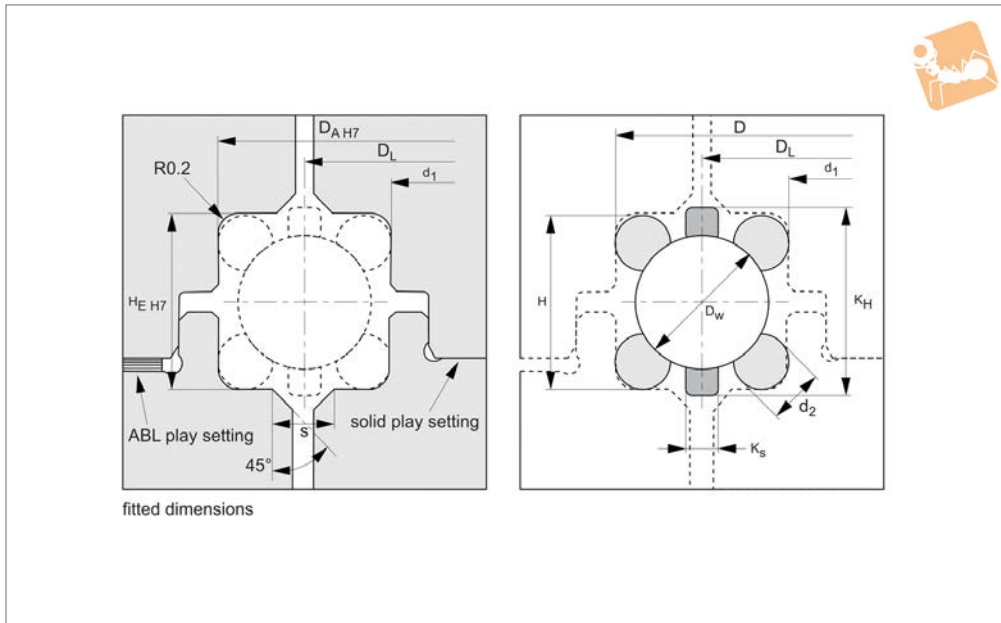
| Order No. | d ₁ & d ₃ mm | d ₂ mm | d ₄ mm | Dyn. load C _{ax} kN max. | Speed min. ⁻¹ max. | Static load C _{0 ax} kN max. | Weight kg |
|------------------|---------------------------------------|----------------------|----------------------|---|-------------------------------------|---|--------------|
| R4209.320 | 810.0 | 834.65 | 835.0 | 29.0 | 190 | 522.0 | 1.44 |
| R4209.330 | 835.4 | 860.05 | 860.4 | 29.3 | 180 | 540.0 | 1.49 |
| R4209.340 | 860.8 | 885.45 | 885.8 | 29.7 | 180 | 549.0 | 1.53 |



Ball Bearing - Wire

metric, ground raceway

Ring Bearings



R4222.1

RING BEARINGS

Material

Hardened corrosion resistant steel wire and ball bearings (in plastic cage).

surface-solid settings or can be set by matching with spacers.

competitive. Please ask us to 'cross reference' if required.

Technical Notes

Play in the bearings can be adjusted via the

Tips

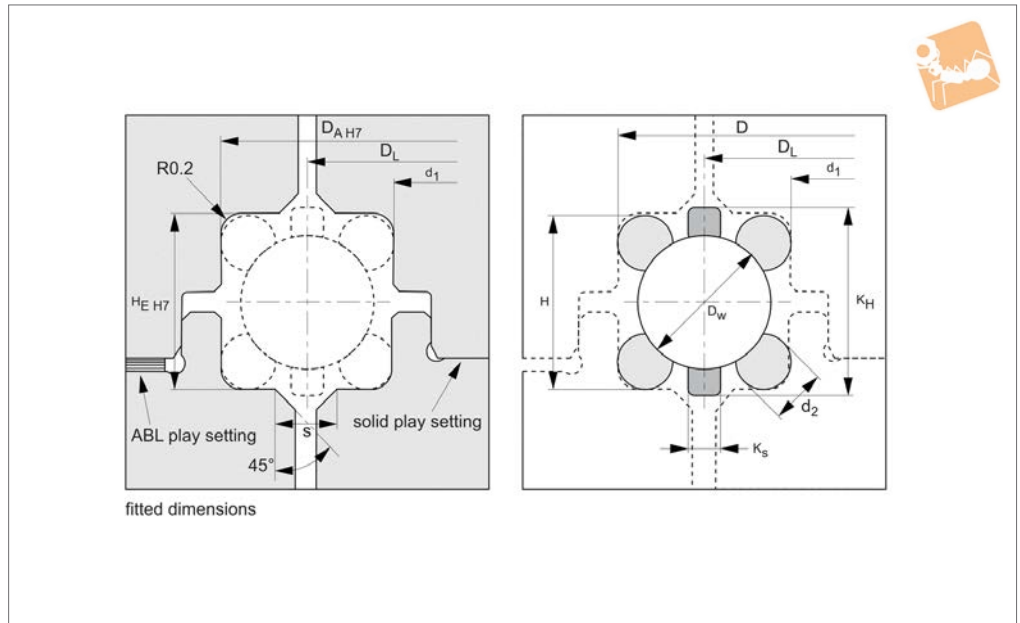
Our wire bearings are compatible with most other manufacturers and are very cost

Smaller sizes on previous page.

| Order No. | d | D_L | h | Dyn. load C kN max. | Dyn. load C_0 kN max. | Weight g |
|------------|------|-------|----|---------------------------|-------------------------------|-------------|
| R4222.1025 | 1013 | 1025 | 12 | 38.4 | 348.5 | 1.85 |
| R4222.1050 | 1038 | 1050 | 12 | 38.9 | 357.0 | 1.89 |
| R4222.1075 | 1063 | 1075 | 12 | 39.3 | 365.5 | 1.94 |
| R4222.1100 | 1088 | 1100 | 12 | 39.8 | 374.0 | 1.98 |
| R4222.1125 | 1113 | 1125 | 12 | 40.2 | 382.5 | 2.03 |
| R4222.1150 | 1138 | 1150 | 12 | 40.7 | 391.0 | 2.07 |
| R4222.1175 | 1163 | 1175 | 12 | 41.1 | 399.5 | 2.12 |
| R4222.1200 | 1188 | 1200 | 12 | 41.6 | 408.0 | 2.16 |
| R4222.1225 | 1213 | 1225 | 12 | 42.0 | 416.5 | 2.21 |
| R4222.1250 | 1238 | 1250 | 12 | 42.4 | 425.0 | 2.25 |
| R4222.1275 | 1263 | 1275 | 12 | 42.8 | 433.5 | 2.30 |
| R4222.1300 | 1288 | 1300 | 12 | 43.3 | 442.0 | 2.34 |
| R4222.1325 | 1313 | 1325 | 12 | 43.7 | 450.5 | 2.39 |
| R4222.1350 | 1338 | 1350 | 12 | 44.1 | 459.0 | 2.43 |
| R4222.1375 | 1363 | 1375 | 12 | 44.5 | 467.5 | 2.48 |
| R4222.1400 | 1388 | 1400 | 12 | 44.9 | 476.0 | 2.52 |
| R4222.1425 | 1413 | 1425 | 12 | 45.3 | 484.5 | 2.57 |
| R4222.1450 | 1438 | 1450 | 12 | 45.7 | 493.0 | 2.61 |
| R4222.1475 | 1463 | 1475 | 12 | 46.1 | 501.5 | 2.66 |
| R4222.1500 | 1488 | 1500 | 12 | 46.5 | 510.0 | 2.70 |
| R4222.1525 | 1513 | 1525 | 12 | 46.9 | 518.5 | 2.75 |
| R4222.1550 | 1538 | 1550 | 12 | 47.2 | 527.0 | 2.79 |
| R4222.1575 | 1563 | 1575 | 12 | 47.6 | 535.5 | 2.84 |
| R4222.1600 | 1588 | 1600 | 12 | 48.0 | 544.0 | 2.90 |
| R4222.1625 | 1613 | 1625 | 12 | 48.4 | 554.5 | 2.93 |
| R4222.1650 | 1638 | 1650 | 12 | 48.7 | 561.0 | 2.97 |
| R4222.1675 | 1663 | 1675 | 12 | 49.1 | 569.5 | 3.02 |



R4222



Material

Hardened corrosion resistant steel wire and ball bearings (in plastic cage).

surface-solid settings or can be set by matching with spacers.

competitive. Please ask us to 'cross reference' if required.

Technical Notes

Play in the bearings can be adjusted via the

Tips

Our wire bearings are compatible with most other manufacturers and are very cost

Larger sizes on next page.

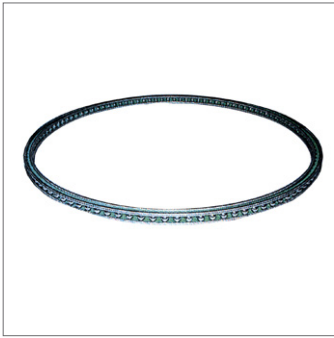
| Order No. | d | D _L | h | Dyn. load C kN max. | Dyn. load C ₀ kN max. | Weight g |
|-----------|-----|----------------|----|---------------------------|--|-------------|
| R4222.100 | 88 | 100 | 12 | 12.0 | 34.0 | 0.18 |
| R4222.125 | 113 | 125 | 12 | 13.4 | 42.5 | 0.23 |
| R4222.150 | 138 | 150 | 12 | 14.7 | 51.0 | 0.27 |
| R4222.175 | 163 | 175 | 12 | 15.9 | 59.5 | 0.32 |
| R4222.200 | 188 | 200 | 12 | 17.0 | 68.0 | 0.36 |
| R4222.225 | 213 | 225 | 12 | 18.0 | 76.5 | 0.41 |
| R4222.250 | 238 | 250 | 12 | 19.0 | 85.0 | 0.45 |
| R4222.275 | 263 | 275 | 12 | 19.9 | 93.5 | 0.50 |
| R4222.300 | 288 | 300 | 12 | 20.8 | 102.0 | 0.54 |
| R4222.325 | 313 | 325 | 12 | 21.6 | 110.5 | 0.59 |
| R4222.350 | 338 | 350 | 12 | 22.4 | 119.0 | 0.63 |
| R4222.375 | 363 | 375 | 12 | 23.2 | 127.5 | 0.68 |
| R4222.400 | 388 | 400 | 12 | 24.0 | 136.0 | 0.72 |
| R4222.425 | 413 | 425 | 12 | 24.7 | 144.5 | 0.77 |
| R4222.450 | 438 | 450 | 12 | 25.5 | 153.0 | 0.81 |
| R4222.475 | 463 | 475 | 12 | 26.2 | 161.5 | 0.86 |
| R4222.500 | 488 | 500 | 12 | 26.8 | 170.0 | 0.90 |
| R4222.525 | 513 | 525 | 12 | 27.5 | 178.5 | 0.95 |
| R4222.550 | 538 | 550 | 12 | 28.1 | 187.0 | 0.99 |
| R4222.575 | 563 | 575 | 12 | 28.8 | 195.5 | 1.04 |
| R4222.600 | 588 | 600 | 12 | 29.4 | 204.0 | 1.08 |
| R4222.625 | 613 | 625 | 12 | 30.0 | 212.5 | 1.13 |
| R4222.650 | 638 | 650 | 12 | 30.6 | 221.0 | 1.17 |
| R4222.675 | 663 | 675 | 12 | 31.2 | 229.5 | 1.22 |
| R4222.700 | 688 | 700 | 12 | 31.7 | 238.0 | 1.26 |
| R4222.725 | 713 | 725 | 12 | 32.3 | 246.5 | 1.31 |
| R4222.750 | 738 | 750 | 12 | 32.9 | 255.0 | 1.35 |
| R4222.775 | 763 | 775 | 12 | 33.4 | 263.5 | 1.40 |
| R4222.800 | 788 | 800 | 12 | 33.9 | 272.0 | 1.44 |
| R4222.825 | 813 | 825 | 12 | 34.5 | 280.5 | 1.49 |
| R4222.850 | 838 | 850 | 12 | 35.0 | 289.0 | 1.53 |



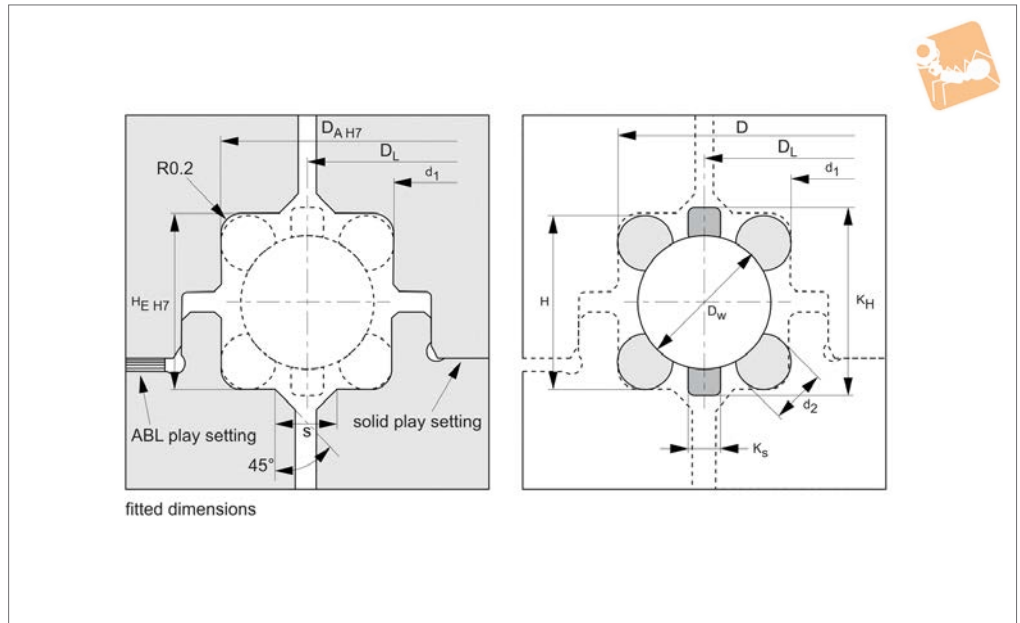
Ball Bearing - Wire metric, groundway raceway

Ring Bearings

| Order No. | d | D _L | h | Dyn. load C kN max. | Dyn. load C ₀ kN max. | Weight g |
|------------|-----|----------------|----|---------------------------|--|-------------|
| R4222.875 | 863 | 875 | 12 | 35.5 | 297.5 | 1.58 |
| R4222.900 | 888 | 900 | 12 | 36.0 | 306.0 | 1.62 |
| R4222.925 | 913 | 925 | 12 | 36.5 | 314.5 | 1.67 |
| R4222.950 | 938 | 950 | 12 | 37.0 | 323.0 | 1.71 |
| R4222.975 | 963 | 975 | 12 | 37.5 | 331.5 | 1.76 |
| R4222.1000 | 988 | 1000 | 12 | 37.9 | 340.0 | 1.80 |



R4224.1



Material

Hardened corrosion resistant steel wire and ball bearings (in plastic cage).

surface-solid settings or can be set by matching with spacers.

competitive. Please ask us to 'cross reference' if required.

Technical Notes

Play in the bearings can be adjusted via the

Tips

Our wire bearings are compatible with most other manufacturers and are very cost

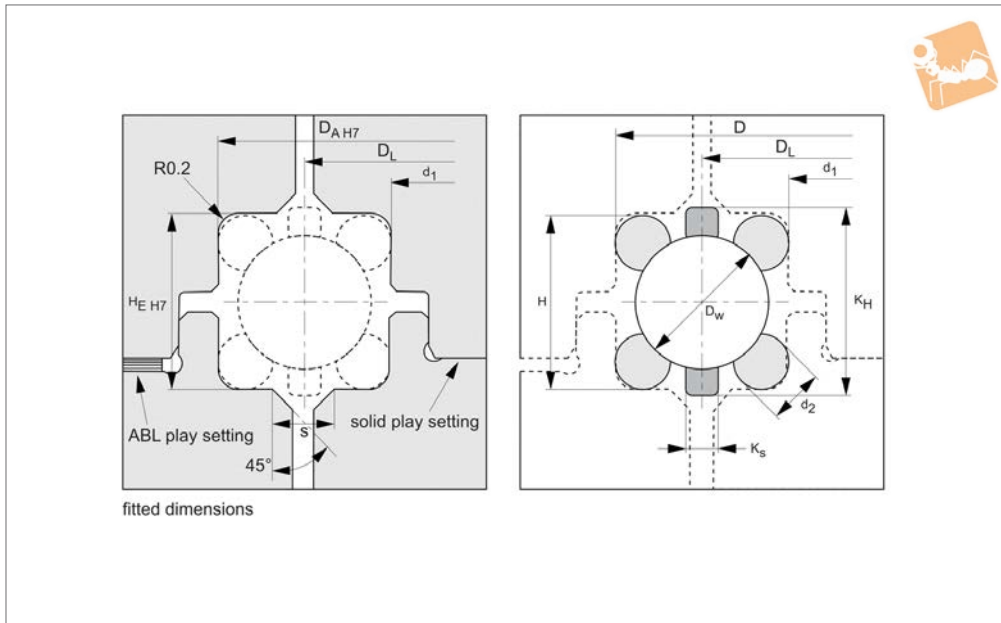
Smaller sizes on previous page.

| Order No. | d | H inch | H mm | Dyn. load C kN max. | Dyn. load C ₀ kN max. | Weight kg |
|------------|---------|-----------|---------|---------------------------|--|--------------|
| R4224.1025 | 1012.05 | 0.51 | 12.95 | 46.4 | 317.8 | 2.15 |
| R4224.1050 | 1037.05 | 0.51 | 12.95 | 47.0 | 325.5 | 2.21 |
| R4224.1075 | 1062.05 | 0.51 | 12.95 | 47.5 | 333.3 | 2.26 |
| R4224.1100 | 1087.05 | 0.51 | 12.95 | 48.1 | 341.0 | 2.31 |
| R4224.1125 | 1112.05 | 0.51 | 12.95 | 48.6 | 348.8 | 2.36 |
| R4224.1150 | 1137.05 | 0.51 | 12.95 | 49.2 | 356.5 | 2.42 |
| R4224.1175 | 1162.05 | 0.51 | 12.95 | 49.7 | 364.3 | 2.47 |
| R4224.1200 | 1187.05 | 0.51 | 12.95 | 50.2 | 372.0 | 2.52 |
| R4224.1225 | 1212.05 | 0.51 | 12.95 | 50.8 | 379.8 | 2.57 |
| R4224.1250 | 1237.05 | 0.51 | 12.95 | 51.3 | 387.5 | 2.63 |
| R4224.1275 | 1262.05 | 0.51 | 12.95 | 51.8 | 395.3 | 2.68 |
| R4224.1300 | 1287.05 | 0.51 | 12.95 | 52.3 | 403.0 | 2.73 |
| R4224.1325 | 1312.05 | 0.51 | 12.95 | 52.8 | 410.8 | 2.78 |
| R4224.1350 | 1337.05 | 0.51 | 12.95 | 53.3 | 418.5 | 2.84 |
| R4224.1375 | 1362.05 | 0.51 | 12.95 | 53.8 | 426.3 | 2.89 |
| R4224.1400 | 1387.05 | 0.51 | 12.95 | 54.3 | 434.0 | 2.94 |
| R4224.1425 | 1412.05 | 0.51 | 12.95 | 54.7 | 441.8 | 2.99 |
| R4224.1450 | 1437.05 | 0.51 | 12.95 | 55.2 | 449.5 | 3.05 |
| R4224.1475 | 1462.05 | 0.51 | 12.95 | 55.7 | 457.3 | 3.10 |
| R4224.1500 | 1487.05 | 0.51 | 12.95 | 56.2 | 465.0 | 3.15 |
| R4224.1525 | 1512.05 | 0.51 | 12.95 | 56.6 | 472.8 | 3.20 |
| R4224.1550 | 1537.05 | 0.51 | 12.95 | 57.1 | 480.5 | 3.26 |
| R4224.1575 | 1562.05 | 0.51 | 12.95 | 57.5 | 488.3 | 3.31 |
| R4224.1600 | 1587.05 | 0.51 | 12.95 | 58.0 | 496.0 | 3.36 |
| R4224.1625 | 1612.05 | 0.51 | 12.95 | 58.5 | 503.8 | 3.41 |
| R4224.1650 | 1637.05 | 0.51 | 12.95 | 58.9 | 511.5 | 3.47 |
| R4224.1675 | 1662.05 | 0.51 | 12.95 | 59.3 | 519.3 | 3.52 |



Ball Bearing - Wire imperial, ground raceway

Ring Bearings



R4224

RING BEARINGS

Material

Hardened corrosion resistant steel wire and ball bearings (in plastic cage).

surface-solid settings or can be set by matching with spacers.

competitive. Please ask us to 'cross reference' if required.

Technical Notes

Play in the bearings can be adjusted via the

Tips

Our wire bearings are compatible with most other manufacturers and are very cost

Larger sizes on next page.

| Order No. | d | H inch | H mm | Dyn. load C kN max. | Dyn. load C ₀ kN max. | Weight kg |
|-----------|--------|-----------|---------|---------------------------|--|--------------|
| R4224.100 | 87.05 | 0.51 | 12.95 | 14.5 | 31.0 | 0.21 |
| R4224.125 | 112.05 | 0.51 | 12.95 | 16.2 | 38.8 | 0.26 |
| R4224.150 | 137.05 | 0.51 | 12.95 | 17.8 | 46.5 | 0.32 |
| R4224.175 | 162.05 | 0.51 | 12.95 | 19.2 | 54.3 | 0.37 |
| R4224.200 | 187.05 | 0.51 | 12.95 | 20.5 | 62.0 | 0.42 |
| R4224.225 | 212.05 | 0.51 | 12.95 | 21.8 | 69.8 | 0.47 |
| R4224.250 | 237.05 | 0.51 | 12.95 | 22.9 | 77.5 | 0.53 |
| R4224.275 | 262.05 | 0.51 | 12.95 | 24.0 | 85.3 | 0.58 |
| R4224.300 | 287.05 | 0.51 | 12.95 | 25.1 | 93.0 | 0.63 |
| R4224.325 | 312.05 | 0.51 | 12.95 | 26.1 | 100.8 | 0.68 |
| R4224.350 | 337.05 | 0.51 | 12.95 | 27.1 | 108.5 | 0.74 |
| R4224.375 | 362.05 | 0.51 | 12.95 | 28.1 | 116.3 | 0.79 |
| R4224.400 | 387.05 | 0.51 | 12.95 | 29.0 | 124.0 | 0.84 |
| R4224.425 | 412.05 | 0.51 | 12.95 | 29.9 | 131.8 | 0.89 |
| R4224.450 | 437.05 | 0.51 | 12.95 | 30.8 | 139.5 | 0.95 |
| R4224.475 | 462.05 | 0.51 | 12.95 | 31.6 | 147.3 | 1.00 |
| R4224.500 | 487.05 | 0.51 | 12.95 | 32.4 | 155.0 | 1.05 |
| R4224.525 | 512.05 | 0.51 | 12.95 | 33.2 | 162.8 | 1.10 |
| R4224.550 | 537.05 | 0.51 | 12.95 | 34.0 | 170.5 | 1.16 |
| R4224.575 | 562.05 | 0.51 | 12.95 | 34.8 | 178.3 | 1.21 |
| R4224.600 | 587.05 | 0.51 | 12.95 | 35.5 | 185.0 | 1.26 |
| R4224.625 | 612.05 | 0.51 | 12.95 | 36.3 | 193.8 | 1.31 |
| R4224.650 | 637.05 | 0.51 | 12.95 | 37.0 | 201.5 | 1.37 |
| R4224.675 | 662.05 | 0.51 | 12.95 | 37.7 | 209.3 | 1.42 |
| R4224.700 | 687.05 | 0.51 | 12.95 | 38.4 | 217.0 | 1.47 |
| R4224.725 | 712.05 | 0.51 | 12.95 | 39.0 | 224.8 | 1.52 |
| R4224.750 | 737.05 | 0.51 | 12.95 | 39.7 | 232.5 | 1.58 |
| R4224.775 | 762.05 | 0.51 | 12.95 | 40.4 | 240.3 | 1.63 |
| R4224.800 | 787.05 | 0.51 | 12.95 | 41.0 | 248.0 | 1.68 |
| R4224.825 | 812.05 | 0.51 | 12.95 | 41.6 | 255.8 | 1.73 |
| R4224.850 | 837.05 | 0.51 | 12.95 | 42.3 | 263.5 | 1.79 |



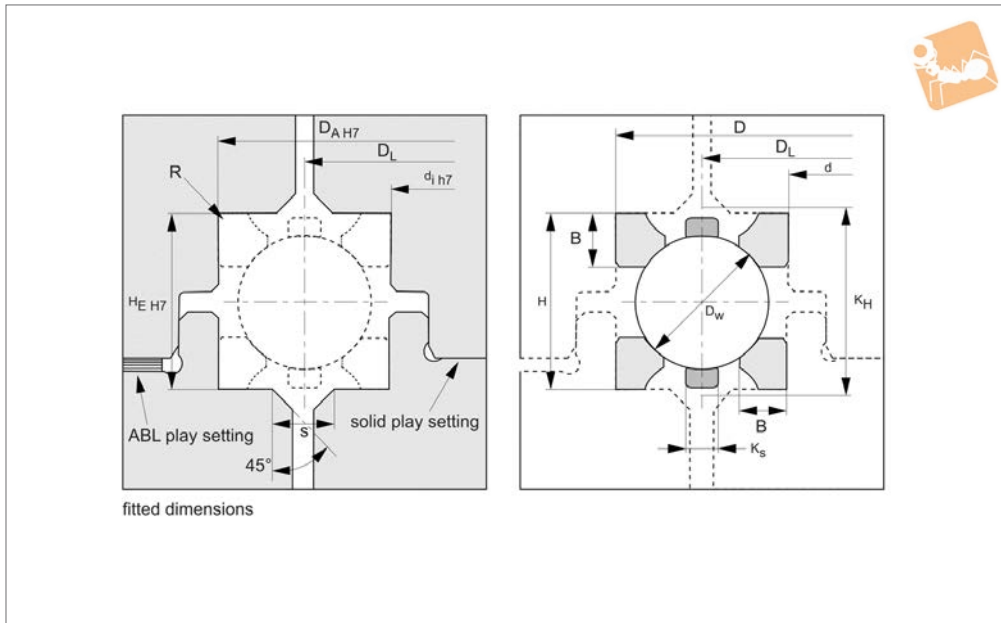
| Order No. | d | H inch | H mm | Dyn. load C kN max. | Dyn. load C ₀ kN max. | Weight kg |
|-------------------|--------|-----------|---------|---------------------------|--|--------------|
| R4224.875 | 862.05 | 0.51 | 12.95 | 42.9 | 271.3 | 1.84 |
| R4224.900 | 887.05 | 0.51 | 12.95 | 43.5 | 279.0 | 1.89 |
| R4224.925 | 912.05 | 0.51 | 12.95 | 44.1 | 286.8 | 1.94 |
| R4224.950 | 937.05 | 0.51 | 12.95 | 44.7 | 294.5 | 2.00 |
| R4224.975 | 962.05 | 0.51 | 12.95 | 45.3 | 302.3 | 2.05 |
| R4224.1000 | 987.05 | 0.51 | 12.95 | 45.9 | 310.0 | 2.10 |



Ball Bearing - Wire, Duo Profile

duo-profile, drawn raceway

Ring Bearings



R4230.1

RING BEARINGS

Material

Hardened corrosion resistant steel wire and ball bearings (in plastic cage).

surface-solid settings or can be set by matching with spacers.

competitive. Please ask us to 'cross reference' if required.

Technical Notes

Play in the bearings can be adjusted via the

Tips

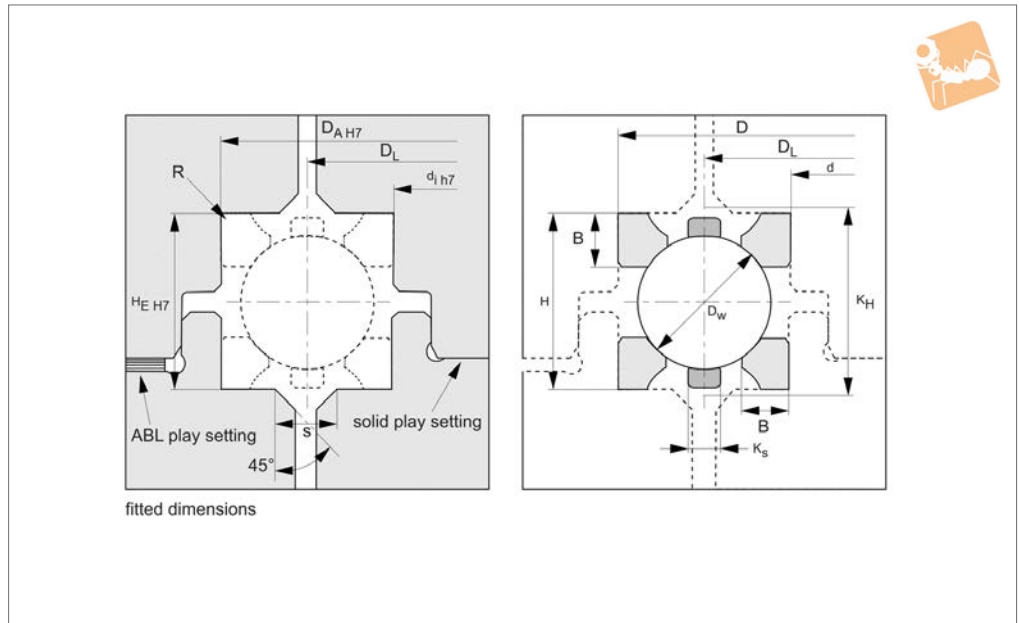
Our wire bearings are compatible with most other manufacturers and are very cost

Smaller sizes on previous page.

| Order No. | d | D_L | h | Load C_0 kN | Dyn. load C kN max. | Weight kg |
|-----------|-----|-------|----|------------------|---------------------------|--------------|
| R4230.300 | 289 | 300 | 13 | 96.0 | 26.0 | 0.56 |
| R4230.310 | 299 | 310 | 13 | 99.2 | 26.4 | 0.58 |
| R4230.320 | 309 | 320 | 13 | 102.4 | 26.8 | 0.60 |
| R4230.330 | 319 | 330 | 13 | 105.6 | 27.2 | 0.61 |
| R4230.340 | 329 | 340 | 13 | 108.8 | 27.7 | 0.63 |
| R4230.350 | 339 | 350 | 13 | 112.0 | 28.1 | 0.65 |
| R4230.360 | 349 | 360 | 13 | 115.2 | 28.5 | 0.67 |
| R4230.370 | 359 | 370 | 13 | 118.4 | 28.9 | 0.69 |
| R4230.380 | 369 | 380 | 13 | 121.6 | 29.2 | 0.71 |
| R4230.390 | 379 | 390 | 13 | 124.8 | 29.6 | 0.73 |
| R4230.400 | 389 | 400 | 13 | 128.0 | 30.0 | 0.74 |
| R4230.410 | 399 | 410 | 13 | 131.2 | 30.4 | 0.76 |
| R4230.420 | 409 | 420 | 13 | 134.4 | 30.8 | 0.78 |
| R4230.430 | 419 | 430 | 13 | 137.6 | 31.1 | 0.80 |
| R4230.440 | 429 | 440 | 13 | 140.8 | 31.5 | 0.82 |
| R4230.450 | 439 | 450 | 13 | 144.0 | 31.8 | 0.84 |
| R4230.460 | 449 | 460 | 13 | 147.2 | 32.2 | 0.86 |
| R4230.470 | 459 | 470 | 13 | 150.4 | 32.5 | 0.87 |
| R4230.480 | 469 | 480 | 13 | 153.6 | 32.9 | 0.89 |
| R4230.490 | 479 | 490 | 13 | 156.8 | 33.2 | 0.91 |
| R4230.500 | 489 | 500 | 13 | 160.0 | 33.5 | 0.93 |
| R4230.510 | 499 | 510 | 13 | 163.2 | 33.9 | 0.95 |
| R4230.520 | 509 | 520 | 13 | 166.4 | 34.2 | 0.97 |
| R4230.530 | 519 | 530 | 13 | 169.6 | 34.5 | 0.99 |



R4230



Material

Hardened corrosion resistant steel wire and ball bearings (in plastic cage).

surface-solid settings or can be set by matching with spacers.

competitive. Please ask us to 'cross reference' if required.

Technical Notes

Play in the bearings can be adjusted via the

Tips

Our wire bearings are compatible with most other manufacturers and are very cost

Larger sizes on next page.

| Order No. | d | D _L | h | Load C ₀ kN | Dyn. load C kN max. | Weight kg |
|-----------|-----|----------------|----|---------------------------|---------------------------|--------------|
| R4230.100 | 89 | 100 | 13 | 32.0 | 15.0 | 0.19 |
| R4230.105 | 94 | 105 | 13 | 33.6 | 15.4 | 0.20 |
| R4230.110 | 99 | 110 | 13 | 35.2 | 15.7 | 0.21 |
| R4230.115 | 104 | 115 | 13 | 36.8 | 16.1 | 0.21 |
| R4230.120 | 109 | 120 | 13 | 38.4 | 16.4 | 0.22 |
| R4230.125 | 114 | 125 | 13 | 40.0 | 16.8 | 0.23 |
| R4230.130 | 119 | 130 | 13 | 41.6 | 17.1 | 0.24 |
| R4230.135 | 124 | 135 | 13 | 43.2 | 17.4 | 0.25 |
| R4230.140 | 129 | 140 | 13 | 44.8 | 17.7 | 0.26 |
| R4230.145 | 134 | 145 | 13 | 46.4 | 18.1 | 0.27 |
| R4230.150 | 139 | 150 | 13 | 48.0 | 18.4 | 0.28 |
| R4230.155 | 144 | 155 | 13 | 49.6 | 18.7 | 0.29 |
| R4230.160 | 149 | 160 | 13 | 51.2 | 19.0 | 0.30 |
| R4230.165 | 154 | 165 | 13 | 52.8 | 19.3 | 0.31 |
| R4230.170 | 159 | 170 | 13 | 54.4 | 19.6 | 0.32 |
| R4230.175 | 164 | 175 | 13 | 56.0 | 19.9 | 0.33 |
| R4230.180 | 169 | 180 | 13 | 57.6 | 20.1 | 0.34 |
| R4230.185 | 174 | 185 | 13 | 59.2 | 20.4 | 0.34 |
| R4230.190 | 179 | 190 | 13 | 60.8 | 20.7 | 0.35 |
| R4230.195 | 184 | 195 | 13 | 62.4 | 21.0 | 0.36 |
| R4230.200 | 189 | 200 | 13 | 64.0 | 21.2 | 0.37 |
| R4230.205 | 194 | 205 | 13 | 65.6 | 21.5 | 0.38 |
| R4230.210 | 199 | 210 | 13 | 67.2 | 21.7 | 0.39 |
| R4230.215 | 204 | 215 | 13 | 68.8 | 22.0 | 0.40 |
| R4230.220 | 209 | 220 | 13 | 70.4 | 22.3 | 0.41 |
| R4230.225 | 214 | 225 | 13 | 72.0 | 22.5 | 0.42 |
| R4230.230 | 219 | 230 | 13 | 73.6 | 22.8 | 0.43 |
| R4230.235 | 224 | 235 | 13 | 75.2 | 23.0 | 0.44 |
| R4230.240 | 229 | 240 | 13 | 76.8 | 23.2 | 0.45 |
| R4230.245 | 234 | 245 | 13 | 78.4 | 23.5 | 0.46 |
| R4230.250 | 239 | 250 | 13 | 80.0 | 23.7 | 0.47 |



Ball Bearing - Wire, Duo Profile

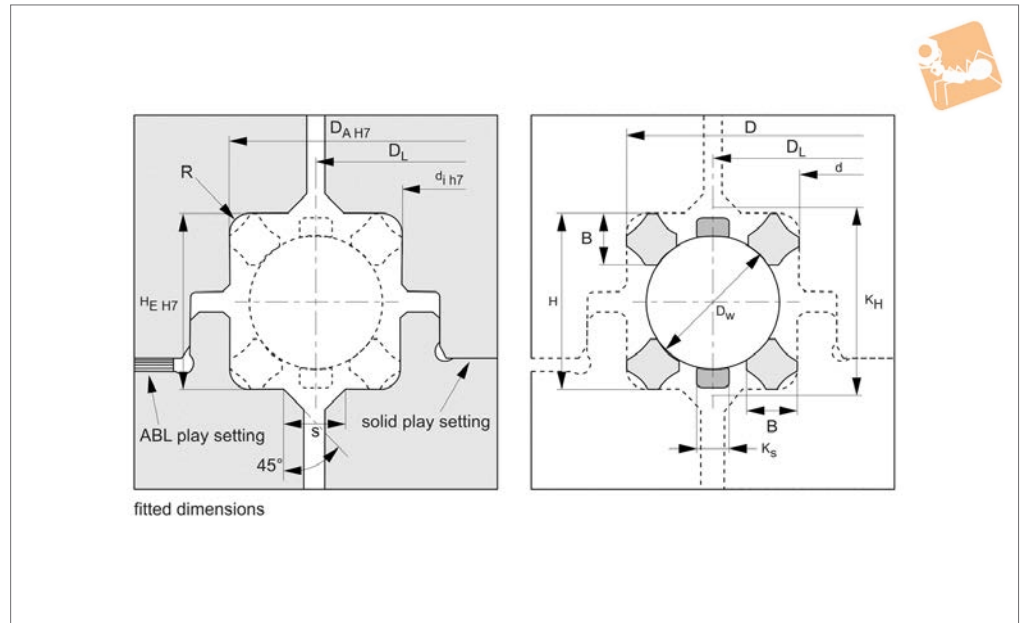
duo-profile, drawn raceway

Ring Bearings

| Order No. | d | D _L | h | Load C ₀ kN | Dyn. load C kN max. | Weight kg |
|-----------|-----|----------------|----|---------------------------|---------------------------|--------------|
| R4230.255 | 244 | 255 | 13 | 81.6 | 24.0 | 0.47 |
| R4230.260 | 249 | 260 | 13 | 83.2 | 24.2 | 0.48 |
| R4230.265 | 254 | 265 | 13 | 84.8 | 24.4 | 0.49 |
| R4230.270 | 259 | 270 | 13 | 86.4 | 24.7 | 0.50 |
| R4230.275 | 264 | 275 | 13 | 88.0 | 24.9 | 0.51 |
| R4230.280 | 269 | 280 | 13 | 89.6 | 25.1 | 0.52 |
| R4230.285 | 274 | 285 | 13 | 91.2 | 25.3 | 0.53 |
| R4230.290 | 279 | 290 | 13 | 92.8 | 25.6 | 0.54 |
| R4230.295 | 284 | 295 | 13 | 94.4 | 25.8 | 0.55 |



R4240.1



RING BEARINGS

Material

Hardened corrosion resistant steel wire and ball bearings (in plastic cage).

surface-solid settings or can be set by matching with spacers.

competitive. Please ask us to 'cross reference' if required.

Technical Notes

Play in the bearings can be adjusted via the

Tips

Our wire bearings are compatible with most other manufacturers and are very cost

Smaller sizes on previous page.

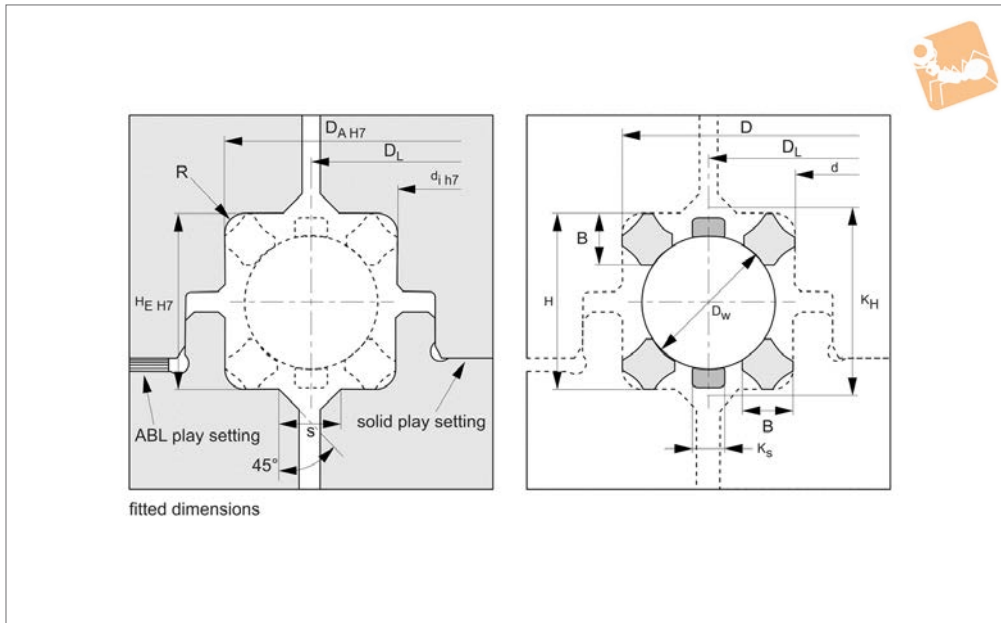
| Order No. | d | D _L | h | Dyn. load C kN max. | Dyn. load C ₀ kN max. | Weight kg |
|------------|--------|----------------|-------|---------------------------|--|--------------|
| R4240.0300 | 287.05 | 300 | 12.95 | 26.0 | 96.0 | 0.59 |
| R4240.0310 | 297.05 | 310 | 12.95 | 26.4 | 99.2 | 0.61 |
| R4240.0320 | 307.05 | 320 | 12.95 | 26.8 | 102.4 | 0.63 |
| R4240.0330 | 317.05 | 330 | 12.95 | 27.2 | 105.6 | 0.65 |
| R4240.0340 | 327.05 | 340 | 12.95 | 27.7 | 108.8 | 0.67 |
| R4240.0350 | 337.05 | 350 | 12.95 | 28.1 | 112.0 | 0.69 |
| R4240.0360 | 347.05 | 360 | 12.95 | 28.5 | 115.2 | 0.71 |
| R4240.0370 | 357.05 | 370 | 12.95 | 28.9 | 118.4 | 0.73 |
| R4240.0380 | 367.05 | 380 | 12.95 | 29.2 | 121.6 | 0.75 |
| R4240.0390 | 377.05 | 390 | 12.95 | 29.6 | 124.8 | 0.76 |
| R4240.0400 | 387.05 | 400 | 12.95 | 30.0 | 128.0 | 0.78 |
| R4240.0410 | 397.05 | 410 | 12.95 | 30.4 | 131.2 | 0.80 |
| R4240.0420 | 407.05 | 420 | 12.95 | 30.8 | 134.4 | 0.82 |
| R4240.0430 | 417.05 | 430 | 12.95 | 31.1 | 137.6 | 0.84 |
| R4240.0440 | 427.05 | 440 | 12.95 | 31.5 | 140.8 | 0.86 |
| R4240.0450 | 437.05 | 450 | 12.95 | 31.8 | 144.0 | 0.88 |
| R4240.0460 | 447.05 | 460 | 12.95 | 32.2 | 147.2 | 0.90 |
| R4240.0470 | 457.05 | 470 | 12.95 | 32.5 | 150.4 | 0.92 |
| R4240.0480 | 467.05 | 480 | 12.95 | 32.9 | 153.6 | 0.96 |
| R4240.0490 | 477.05 | 490 | 12.95 | 33.2 | 156.8 | 0.96 |
| R4240.0500 | 487.05 | 500 | 12.95 | 33.5 | 160.0 | 0.98 |
| R4240.0510 | 497.05 | 510 | 12.95 | 33.9 | 163.2 | 1.00 |
| R4240.0520 | 507.05 | 520 | 12.95 | 34.2 | 166.4 | 1.04 |
| R4240.0530 | 517.05 | 530 | 12.95 | 34.5 | 169.6 | 1.04 |



Ball Bearing - Wire, Duplex Profile

duplex profile, drawn raceway

Ring Bearings



R4240

RING BEARINGS

Material

Hardened corrosion resistant steel wire and ball bearings (in plastic cage).

surface-solid settings or can be set by matching with spacers.

competitive. Please ask us to 'cross reference' if required.

Technical Notes

Play in the bearings can be adjusted via the

Tips

Our wire bearings are compatible with most other manufacturers and are very cost

Larger sizes on next page.

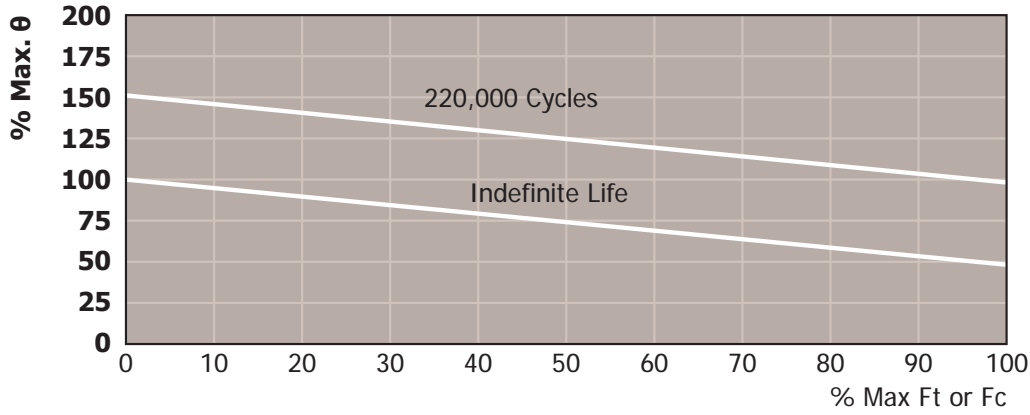
| Order No. | d | D _L | h | Dyn. load C kN max. | Dyn. load C ₀ kN max. | Weight kg |
|------------|--------|----------------|-------|---------------------------|--|--------------|
| R4240.0100 | 87.05 | 100 | 12.95 | 15.0 | 32.0 | 0.20 |
| R4240.0105 | 92.05 | 105 | 12.95 | 15.4 | 33.6 | 0.21 |
| R4240.0110 | 97.05 | 110 | 12.95 | 15.7 | 35.2 | 0.22 |
| R4240.0115 | 102.05 | 115 | 12.95 | 16.1 | 36.8 | 0.23 |
| R4240.0120 | 107.05 | 120 | 12.95 | 16.4 | 38.4 | 0.24 |
| R4240.0125 | 112.05 | 125 | 12.95 | 16.8 | 40.0 | 0.25 |
| R4240.0130 | 117.05 | 130 | 12.95 | 17.1 | 41.6 | 0.26 |
| R4240.0135 | 122.05 | 135 | 12.95 | 17.4 | 43.2 | 0.27 |
| R4240.0140 | 127.05 | 140 | 12.95 | 17.7 | 44.8 | 0.27 |
| R4240.0145 | 132.05 | 145 | 12.95 | 18.1 | 46.4 | 0.28 |
| R4240.0150 | 137.05 | 150 | 12.95 | 18.4 | 48.0 | 0.29 |
| R4240.0155 | 142.05 | 155 | 12.95 | 18.7 | 49.6 | 0.30 |
| R4240.0160 | 147.05 | 160 | 12.95 | 19.0 | 51.2 | 0.31 |
| R4240.0165 | 152.05 | 165 | 12.95 | 19.3 | 52.8 | 0.32 |
| R4240.0170 | 157.05 | 170 | 12.95 | 19.6 | 54.4 | 0.33 |
| R4240.0175 | 162.05 | 175 | 12.95 | 19.9 | 56.0 | 0.34 |
| R4240.0180 | 167.05 | 180 | 12.95 | 20.1 | 57.6 | 0.35 |
| R4240.0185 | 172.05 | 185 | 12.95 | 20.4 | 59.2 | 0.36 |
| R4240.0190 | 177.05 | 190 | 12.95 | 20.7 | 60.8 | 0.37 |
| R4240.0195 | 182.05 | 195 | 12.95 | 21.0 | 62.4 | 0.38 |
| R4240.0200 | 187.05 | 200 | 12.95 | 21.2 | 64.0 | 0.39 |
| R4240.0205 | 192.05 | 205 | 12.95 | 21.5 | 65.6 | 0.40 |
| R4240.0210 | 197.05 | 210 | 12.95 | 21.7 | 67.2 | 0.41 |
| R4240.0215 | 202.05 | 215 | 12.95 | 22.0 | 68.8 | 0.42 |
| R4240.0220 | 207.05 | 220 | 12.95 | 22.3 | 70.4 | 0.43 |
| R4240.0225 | 212.05 | 225 | 12.95 | 22.5 | 72.0 | 0.44 |
| R4240.0230 | 217.05 | 230 | 12.95 | 22.8 | 73.6 | 0.45 |
| R4240.0235 | 222.05 | 235 | 12.95 | 23.0 | 75.2 | 0.46 |
| R4240.0240 | 227.05 | 240 | 12.95 | 23.2 | 76.8 | 0.47 |
| R4240.0245 | 232.05 | 245 | 12.95 | 23.5 | 78.4 | 0.48 |
| R4240.0250 | 237.05 | 250 | 12.95 | 23.7 | 80.0 | 0.49 |



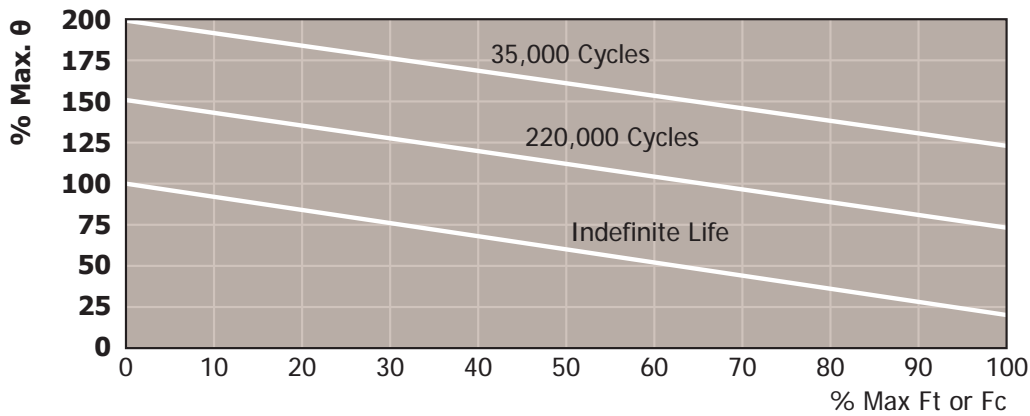
| Order No. | d | D _L | h | Dyn. load C kN max. | Dyn. load C ₀ kN max. | Weight kg |
|------------|--------|----------------|-------|---------------------------|--|--------------|
| R4240.0255 | 242.05 | 255 | 12.95 | 24.0 | 81.6 | 0.50 |
| R4240.0260 | 247.05 | 260 | 12.95 | 24.2 | 83.2 | 0.51 |
| R4240.0265 | 252.05 | 265 | 12.95 | 24.4 | 84.8 | 0.52 |
| R4240.0270 | 257.05 | 270 | 12.95 | 24.7 | 86.4 | 0.53 |
| R4240.0275 | 262.05 | 275 | 12.95 | 24.9 | 88.0 | 0.54 |
| R4240.0280 | 267.05 | 280 | 12.95 | 25.1 | 89.6 | 0.55 |
| R4240.0285 | 272.05 | 285 | 12.95 | 25.3 | 91.2 | 0.56 |
| R4240.0290 | 277.05 | 290 | 12.95 | 25.6 | 92.8 | 0.57 |
| R4240.0295 | 282.05 | 295 | 12.95 | 25.8 | 94.4 | 0.58 |

The cycle life of the bearings is based on the fatigue limit of the springs. The graphs below show the life expectancy for Torsional Spring Rates for Series 10, 20 and 30. Max θ shows the angle of deflection. This is the deflection angle from the null position, which can be positive or negative.

Series 10 - Max $\theta \pm 15.0^\circ$



Series 20 - Max $\theta \pm 7.5^\circ$



Series 30 - Max $\theta \pm 3.7^\circ$

