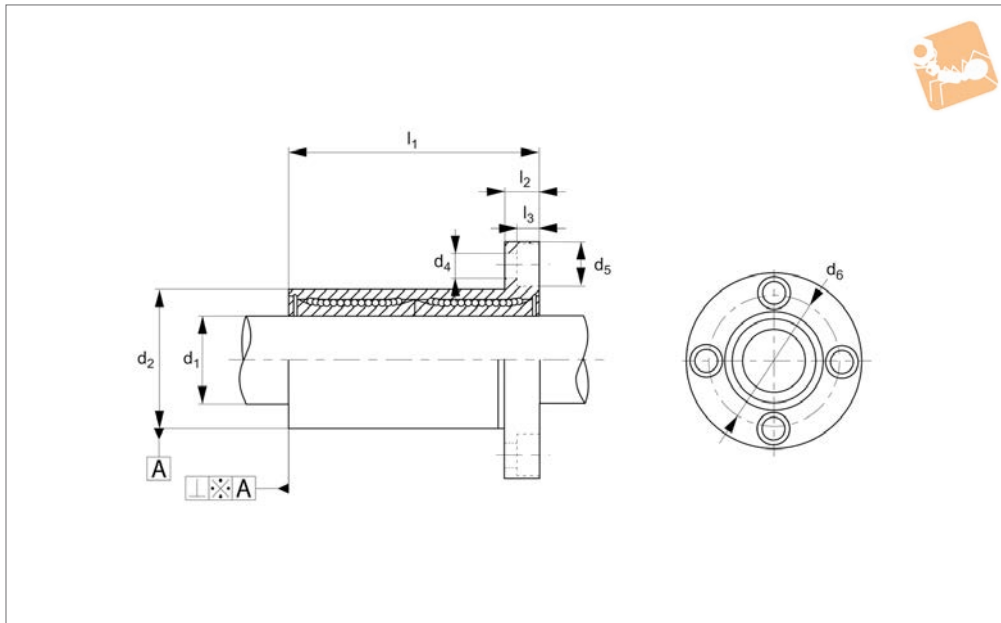




# Long Flanged Linear Ball Bushings

circular flange

## Linear Bearings



**L1722**

LINEAR BEARINGS

### Material

Hardened and ground body from bearing steel.

Single body resin retainer (POM).

Supplied with nitrile rubber (NBR) end-seals -UU as standard.

### Technical Notes

For use with hardened shafts only (see part

nos. L1770 - L1772) - tolerance h6. For part numbers with <sup>-1</sup> shaft tolerance required is g6. Temperature range : -20°C to +80°C.

Steel ball retainers can be supplied for higher temperature applications (up to +120°C - with no end seals. Please advise at time of ordering if this is required.

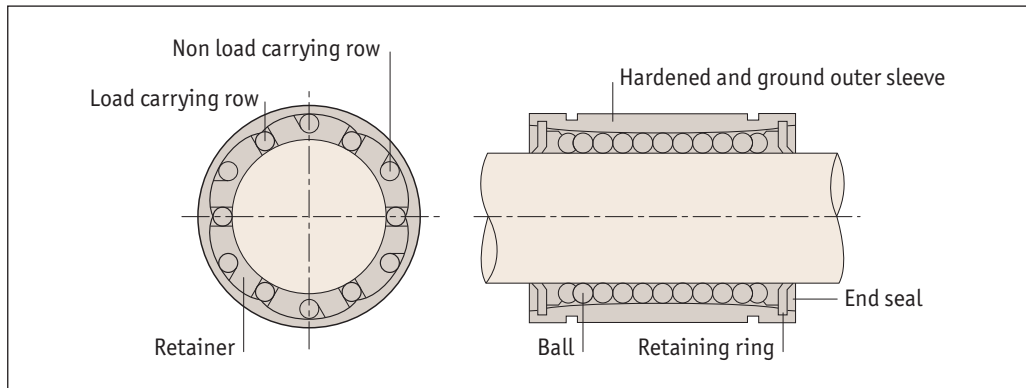
### Tips

Nickel plated version with stainless steel balls (for corrosion resistance) on request - or stainless steel version part no. L1724.

Order No.	d <sub>1</sub> tol. h6	d <sub>2</sub> tol. h6	l <sub>1</sub>	d <sub>3</sub> tol. h4	d <sub>4</sub>	d <sub>5</sub>	d <sub>6</sub>	l <sub>2</sub>	l <sub>3</sub>	No. of ball circuits	Squareness A µm	Dyn. load C N max.	Static load C <sub>0</sub> N max.	Weight g
L1722.006-1	6	12	35	28	3,4	6,5	20	5	3,3	4	12	320	520	31
L1722.008	8	16	45	32	3,4	6,5	24	5	3,3	4	12	430	780	53
L1722.010-1	10	19	55	40	4,5	8,0	29	6	4,4	4	12	580	1100	105
L1722.012	12	22	57	42	4,5	8,0	32	6	4,4	4	12	650	1200	100
L1722.016	16	26	70	46	4,5	8,0	36	6	4,4	5	12	1230	2350	187
L1722.020	20	32	80	54	5,5	9,5	43	8	5,4	5	15	1400	2750	260
L1722.025	25	40	112	62	5,5	9,5	51	8	5,4	6	15	1560	3140	515
L1722.030	30	47	123	76	6,6	11,0	62	10	6,5	6	15	2490	5490	655
L1722.040	40	62	154	98	9,0	14,0	80	13	8,6	6	20	3430	8040	1560
L1722.050	50	75	192	112	9,0	14,0	94	13	8,6	6	20	6080	15900	3500
L1722.060	60	90	211	134	11,0	17,5	112	18	10,8	6	25	7650	20000	4500



### Linear ball bushings



#### Applications

- Computers and peripheral equipment.
- Recording equipment.
- Linear motion systems.
- Multi-axis drilling machine.
- Printing machines.
- Food packaging machines.
- Punching presses.
- Tool grinders.
- Assembly systems.
- Card selectors.

#### Interchangeability

Our linear bushing systems are designed to have full interchangeability, with other manufacturers' parts. **For shafting see part numbers L1770 to L1785.**

#### High precision retainer

The single body retainer guides 4-6 ball circuits. It precisely guides the balls with a smooth motion.

#### Tolerance of housing bore

Normal fit is standard, pressed fit is for without clearance.

Type	Case	
	Normal fit	Pressed fit
Part no.		
L1706 to L1733	H7	K6, J6
L1706... <sup>-1</sup> to L1733... <sup>-1</sup>	H7	J7

#### Rigid outer sleeve

The hardened and precisely ground outer sleeve is made of bearing steel.

#### L1750 bushing carriages

Consists of light aluminium case and L1706 type linear bushing, so the installation can be finished simply by bolting. Longer life can be obtained by adjusting the orientation of the ball circuits in the linear carriage element against the direction of load.

#### Tolerance of shaft

Type	Shaft	
	Normal fit	Tight fit
Part no.		
L1706 to L1733	h6	k6
L1706... <sup>-1</sup> to L1733... <sup>-1</sup>	f6, g6	h6



# Technical Information

## Load rating important information



### Basic dynamic load rating C

The basic dynamic load rating is defined as the constant load both in direction and magnitude under which a group of identical linear bushings are individually operated. 90% of the units can travel 50KM without failing due to rolling contact fatigue.

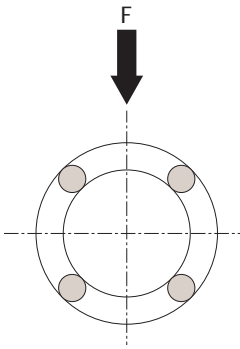
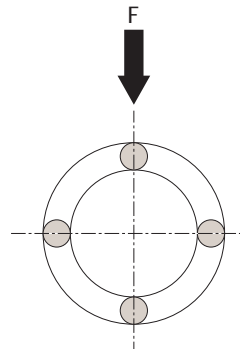
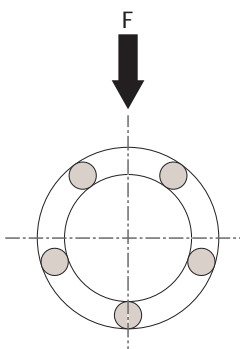
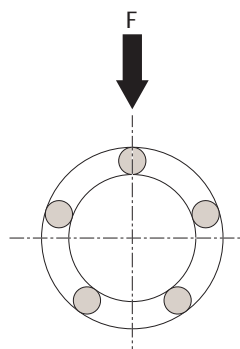
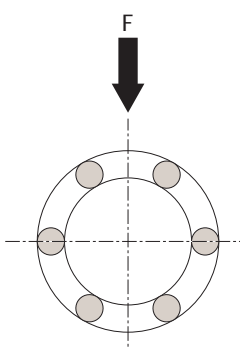
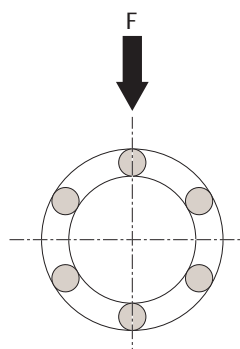
### Basic static load rating C<sub>0</sub>

If a linear bushing is subject to an excessive load or impact, a permanent deformation occurs between the raceway and the rolling element. The basic static load rating is defined as the static load that gives a prescribed constant contact stress at the centre of the contact area between the rolling element and raceway receiving the maximum load.

### Relationships between load ratings and the position of ball circuits

Load ratings of linear bushing are affected by the position of the ball circuits as shown below.

Load ratings and orientation of balls.

No of ball rows	Orientation of balls	
	Maximum load rating	Minimum load rating
4		
	$F = 1.41 \times C$	$F = C$
5		
	$F = 1.46 \times C$	$F = C$
6		
	$F = 1.26 \times C$	$F = C$



When designing a linear motion system it is necessary to consider how the application will affect performance. The following examples demonstrate how the position of the load and the centre of gravity can influence product selection. When evaluating your application, review each of the forces acting on your system and determine the product that best suits your needs.

#### Horizontal application

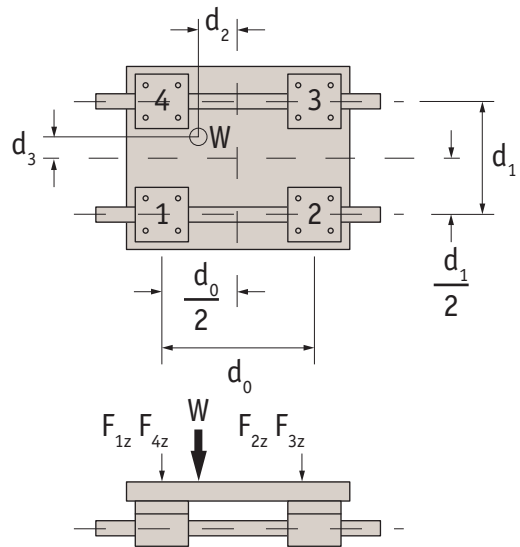
For uniform speed or when stopped.

$$F_{1z} = \frac{W}{4} + \left( \frac{W}{2} \cdot \frac{d_2}{d_0} \right) - \left( \frac{W}{2} \cdot \frac{d_3}{d_1} \right)$$

$$F_{2z} = \frac{W}{4} - \left( \frac{W}{2} \cdot \frac{d_2}{d_0} \right) - \left( \frac{W}{2} \cdot \frac{d_3}{d_1} \right)$$

$$F_{3z} = \frac{W}{4} - \left( \frac{W}{2} \cdot \frac{d_2}{d_0} \right) + \left( \frac{W}{2} \cdot \frac{d_3}{d_1} \right)$$

$$F_{4z} = \frac{W}{4} + \left( \frac{W}{2} \cdot \frac{d_2}{d_0} \right) + \left( \frac{W}{2} \cdot \frac{d_3}{d_1} \right)$$



#### Horizontal application

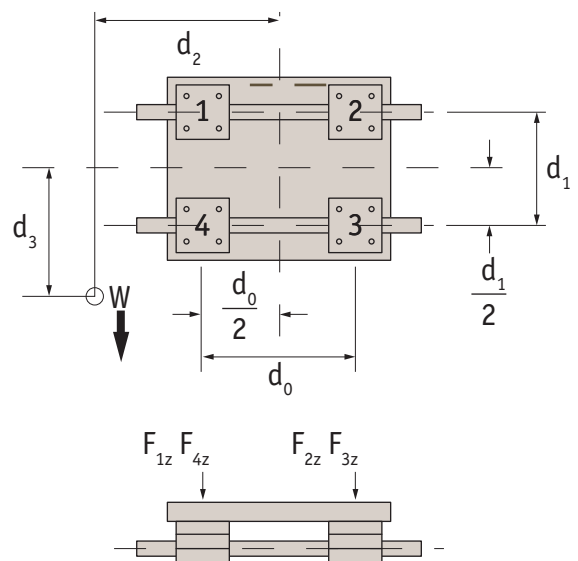
For uniform speed or when stopped.

$$F_{1z} = \frac{W}{4} + \left( \frac{W}{2} \cdot \frac{d_2}{d_0} \right) - \left( \frac{W}{2} \cdot \frac{d_3}{d_1} \right)$$

$$F_{2z} = \frac{W}{4} - \left( \frac{W}{2} \cdot \frac{d_2}{d_0} \right) - \left( \frac{W}{2} \cdot \frac{d_3}{d_1} \right)$$

$$F_{3z} = \frac{W}{4} - \left( \frac{W}{2} \cdot \frac{d_2}{d_0} \right) + \left( \frac{W}{2} \cdot \frac{d_3}{d_1} \right)$$

$$F_{4z} = \frac{W}{4} + \left( \frac{W}{2} \cdot \frac{d_2}{d_0} \right) + \left( \frac{W}{2} \cdot \frac{d_3}{d_1} \right)$$





$$F_{1Y} \sim F_{4Y} = \left( \frac{W}{2} \cdot \frac{d_3}{d_0} \right)$$

$$F_{1Z} = F_{4Z} = \frac{W}{4} + \left( \frac{W}{2} \cdot \frac{d_2}{d_0} \right)$$

$$F_{2Z} = F_{3Z} = \frac{W}{4} + \left( \frac{W}{2} \cdot \frac{d_2}{d_0} \right)$$

### Side mounted application

For uniform speed or when stopped.

$$F_{1X} \sim F_{4X} = \left( \frac{W}{2} \cdot \frac{d_2}{d_0} \right)$$

$$F_{1Y} \sim F_{4Y} = \left( \frac{W}{2} \cdot \frac{d_3}{d_0} \right)$$

$$F_{1X} + F_{4X} \sim F_{2X} + F_{3X}$$

$$F_{1Y} + F_{4Y} \sim F_{2Y} + F_{3Y}$$

### Vertical application

For uniform speed or when stopped. On start up/stop the load varies due to inertia in the system.