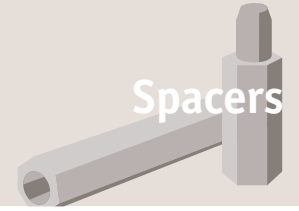


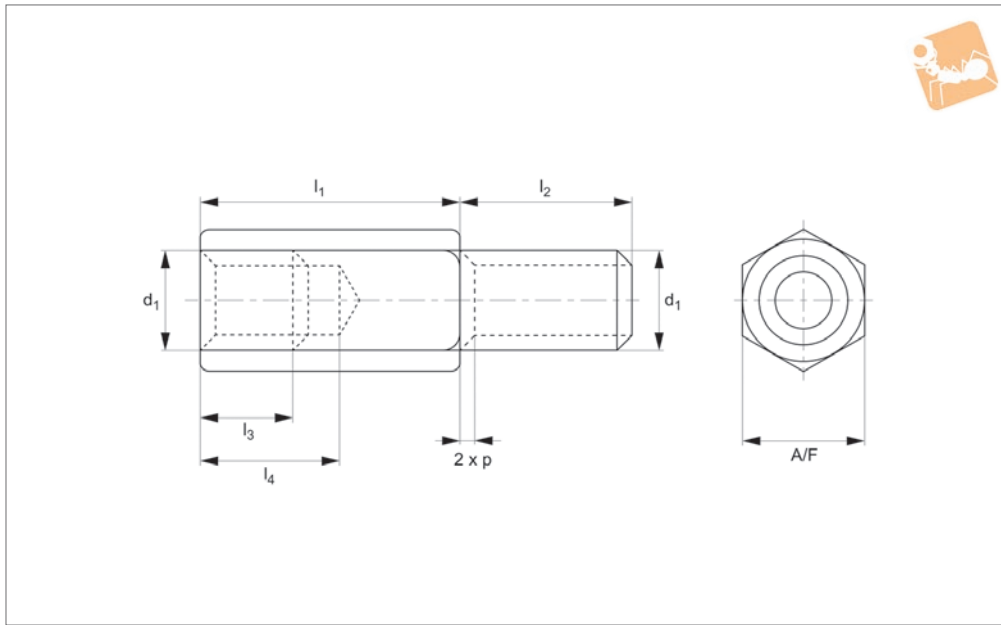


Stainless Hexagonal Pillars

303 stainless



Spacers



P0061.A2

SPACERS

Material

Stainless steel (AISI 303, 1.4305)

Technical Notes

$l_4 = (l_3 + >1\text{mm})$.

| Order No. | d_1 | l_1 tol. js13 | l_2 | l_3 | A/F |
|------------------|-------|--------------------|-------|-------|-----|
| P0061.025-005-A2 | M2,5 | 5 | 6 | 2.5 | 5 |
| P0061.025-010-A2 | M2,5 | 10 | 6 | 7.0 | 5 |
| P0061.025-012-A2 | M2,5 | 12 | 6 | 7.0 | 5 |
| P0061.025-016-A2 | M2,5 | 16 | 6 | 7.0 | 5 |
| P0061.030-005-A2 | M 3 | 5 | 8 | 2.5 | 5.5 |
| P0061.030-008-A2 | M 3 | 8 | 6 | 5.0 | 5.5 |
| P0061.030-010-A2 | M 3 | 10 | 8 | 6.5 | 5.5 |
| P0061.030-012-A2 | M 3 | 12 | 8 | 7.0 | 5.5 |
| P0061.030-015-A2 | M 3 | 15 | 8 | 8.0 | 5.5 |
| P0061.030-018-A2 | M 3 | 18 | 8 | 7.0 | 5.5 |
| P0061.030-020-A2 | M 3 | 20 | 8 | 7.0 | 5.5 |
| P0061.030-025-A2 | M 3 | 25 | 8 | 7.0 | 5.5 |
| P0061.030-030-A2 | M 3 | 30 | 8 | 7.0 | 5.5 |
| P0061.030-035-A2 | M 3 | 35 | 8 | 7.0 | 5.5 |
| P0061.030-040-A2 | M 3 | 40 | 8 | 7.0 | 5.5 |
| P0061.030-045-A2 | M 3 | 45 | 8 | 7.0 | 5.5 |
| P0061.030-050-A2 | M 3 | 50 | 8 | 7.0 | 5.5 |
| P0061.030-055-A2 | M 3 | 55 | 8 | 7.0 | 5.5 |
| P0061.030-060-A2 | M 3 | 60 | 8 | 7.0 | 5.5 |
| P0061.030-070-A2 | M 3 | 70 | 8 | 7.0 | 5.5 |
| P0061.040-006-A2 | M 4 | 6 | 8 | 3.5 | 7 |
| P0061.040-008-A2 | M 4 | 8 | 8 | 4.5 | 7 |
| P0061.040-010-A2 | M 4 | 10 | 8 | 6.0 | 7 |
| P0061.040-015-A2 | M 4 | 15 | 8 | 9.0 | 7 |
| P0061.040-018-A2 | M 4 | 18 | 8 | 9.0 | 7 |
| P0061.040-020-A2 | M 4 | 20 | 8 | 9.0 | 7 |
| P0061.040-025-A2 | M 4 | 25 | 8 | 9.0 | 7 |
| P0061.040-030-A2 | M 4 | 30 | 8 | 9.0 | 7 |
| P0061.040-035-A2 | M 4 | 35 | 8 | 9.0 | 7 |
| P0061.040-040-A2 | M 4 | 40 | 8 | 9.0 | 7 |
| P0061.040-050-A2 | M 4 | 50 | 8 | 9.0 | 7 |
| P0061.040-055-A2 | M 4 | 55 | 8 | 9.0 | 7 |
| P0061.040-060-A2 | M 4 | 60 | 8 | 9.0 | 7 |
| P0061.050-008-A2 | M 5 | 8 | 10 | 4.5 | 8 |



| Order No. | d ₁ | l ₁ tol. js13 | l ₂ | l ₃ | A/F |
|------------------|----------------|-----------------------------|----------------|----------------|-----|
| P0061.050-010-A2 | M 5 | 10 | 10 | 5.5 | 8 |
| P0061.050-012-A2 | M 5 | 12 | 10 | 8.0 | 8 |
| P0061.050-015-A2 | M 5 | 15 | 10 | 9.0 | 8 |
| P0061.050-020-A2 | M 5 | 20 | 10 | 11.0 | 8 |
| P0061.050-025-A2 | M 5 | 25 | 10 | 11.0 | 8 |
| P0061.050-030-A2 | M 5 | 30 | 10 | 11.0 | 8 |
| P0061.050-035-A2 | M 5 | 35 | 10 | 11.0 | 8 |
| P0061.050-040-A2 | M 5 | 40 | 10 | 11.0 | 8 |
| P0061.050-050-A2 | M 5 | 50 | 10 | 11.0 | 8 |
| P0061.050-060-A2 | M 5 | 60 | 10 | 11.0 | 8 |
| P0061.050-080-A2 | M 5 | 80 | 10 | 11.0 | 8 |
| P0061.060-010-A2 | M 6 | 10 | 12 | 6.0 | 10 |
| P0061.060-015-A2 | M 6 | 15 | 12 | 11.0 | 10 |
| P0061.060-020-A2 | M 6 | 20 | 12 | 12.0 | 10 |
| P0061.060-025-A2 | M 6 | 25 | 12 | 12.0 | 10 |
| P0061.060-030-A2 | M 6 | 30 | 12 | 12.0 | 10 |
| P0061.060-035-A2 | M 6 | 35 | 12 | 12.0 | 10 |
| P0061.060-040-A2 | M 6 | 40 | 12 | 12.0 | 10 |
| P0061.060-045-A2 | M 6 | 45 | 12 | 12.0 | 10 |
| P0061.060-050-A2 | M 6 | 50 | 12 | 12.0 | 10 |
| P0061.060-060-A2 | M 6 | 60 | 12 | 12.0 | 10 |
| P0061.060-070-A2 | M 6 | 70 | 12 | 12.0 | 10 |
| P0061.060-080-A2 | M 6 | 80 | 12 | 12.0 | 10 |
| P0061.060-085-A2 | M 6 | 85 | 12 | 12.0 | 10 |
| P0061.060-090-A2 | M 6 | 90 | 12 | 12.0 | 10 |