



Blanking Plugs with Collar

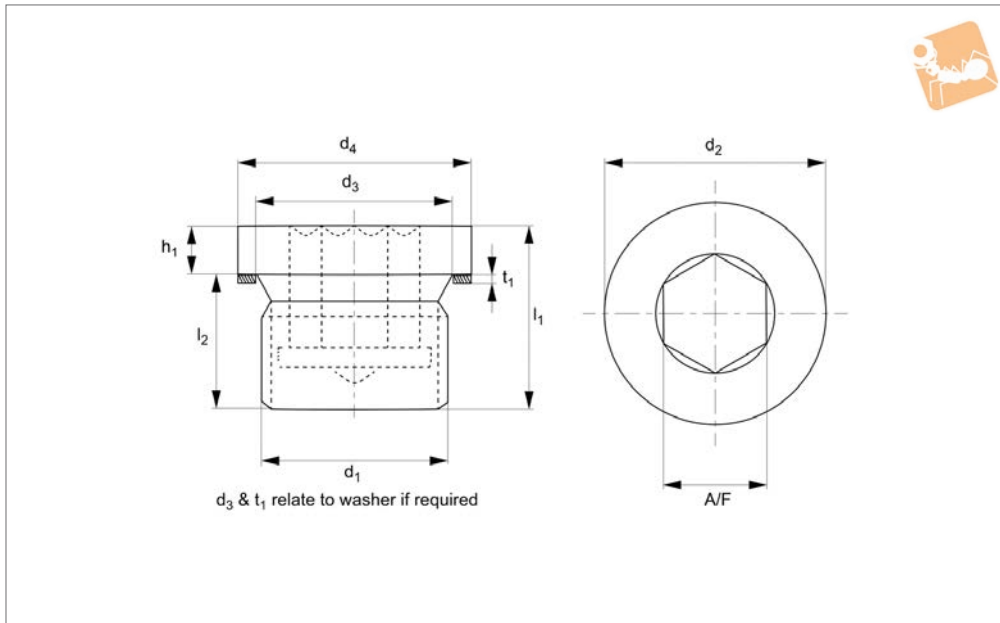
metric & BSPP

Blanking Plugs



P0183

BLANKING PLUGS



Material

Steel (self-colour & zinc-plated, class 5.8), stainless steel (A2 & A4), and brass.

Technical Notes

To DIN 908. Most metric screw plug threads are fine threads.

Inch threads beginning with „G“ indicate BSPP (British Standard Pipe Parallel

threads ISO 228).

For sealing washers (copper to DIN 7603A see part no. P0334).

Tightening torque is dependent on fluid, pressure, temperature, and material pairing.

Tips

Also available on request with O rings

(NBR, Viton, EPDM, Silicone etc), permanent magnet, and polyamide melt seal under head (PS).

ZP - Zinc Plated

A2 - A2 Stainless Steel

A4 - A4 Stainless Steel

BR - Brass

Order No.	d ₁ x p	d ₂ tol. h14	h ₁ ±0.5	d ₃	d ₄	l ₁	l ₂ ±0.2	t ₁	A/F	Material
P0183.080-100-ZP	M 8 x1,0	12	3	8.3	11.5	11	8	1.0	4	Zinc Plated
P0183.100-075-ZP	M10 x0,75	14	3	10.3	13.5	11	8	1.0	5	Zinc Plated
P0183.100-100-ZP	M10 x1,0	14	3	10.3	13.5	11	8	1.0	5	Zinc Plated
P0183.100-125-ZP	M10 x1,25	17	3	12.3	16.0	15	12	1.5	6	Zinc Plated
P0183.100-150-ZP	M10 x1,5	14	3	10.3	13.5	11	8	1.0	5	Zinc Plated
P0183.120-100-ZP	M12 x1	17	3	12.3	16.0	15	12	1.5	6	Zinc Plated
P0183.120-125-ZP	M12 x1,25	17	3	12.3	16.0	15	12	1.5	6	Zinc Plated
P0183.120-150-ZP	M12 x1,5	17	3	12.3	16.0	15	12	1.5	6	Zinc Plated
P0183.140-125-ZP	M14 x1,25	19	3	14.3	18.0	15	12	1.5	6	Zinc Plated
P0183.140-150-ZP	M14 x1,5	19	3	14.3	18.0	15	12	1.5	6	Zinc Plated
P0183.160-100-ZP	M16 x1	21	3	16.3	20.0	15	12	1.5	8	Zinc Plated
P0183.160-150-ZP	M16 x1,5	21	3	16.3	20.0	15	12	1.5	8	Zinc Plated
P0183.160-200-ZP	M16 x2	21	3	16.3	20.0	15	12	1.5	8	Zinc Plated
P0183.180-100-ZP	M18 x1	23	4	18.3	22.0	16	12	1.5	8	Zinc Plated
P0183.180-150-ZP	M18 x1,5	23	4	18.3	22.0	16	12	1.5	8	Zinc Plated
P0183.200-150-ZP	M20 x1,5	25	4	20.3	24.0	18	14	1.5	10	Zinc Plated
P0183.220-150-ZP	M22 x1,5	27	4	22.3	27.0	18	14	1.5	10	Zinc Plated
P0183.240-150-ZP	M24 x1,5	29	4	24.3	29.0	18	14	2.0	12	Zinc Plated
P0183.260-150-ZP	M26 x1,5	31	4	26.3	31.0	20	16	2.0	12	Zinc Plated
P0183.270-200-ZP	M27 x2,0	32	4	27.3	32.0	20	16	2.0	12	Zinc Plated
P0183.300-150-ZP	M30 x1,5	36	4	30.3	36.0	20	16	2.0	17	Zinc Plated
P0183.300-200-ZP	M30 x2,0	36	4	30.3	36.0	20	16	2.0	17	Zinc Plated
P0183.330-200-ZP	M33 x2,0	39	5	33.3	39.0	21	16	2.0	17	Zinc Plated
P0183.360-150-ZP	M36 x1,5	42	5	36.3	42.0	21	16	2.0	19	Zinc Plated
P0183.360-200-ZP	M36 x2	42	5	36.3	42.0	21	16	2.0	19	Zinc Plated
P0183.380-150-ZP	M38 x1,5	44	5	38.3	44.0	21	16	2.0	19	Zinc Plated
P0183.380-200-ZP	M38 x2	44	5	38.3	44.0	21	16	2.0	19	Zinc Plated
P0183.390-200-ZP	M32 x2	44	5	38.3	44.0	21	16	2.0	19	Zinc Plated
P0183.420-150-ZP	M42 x1,5	49	5	42.3	49.0	21	16	2.0	22	Zinc Plated



BLANKING PLUGS

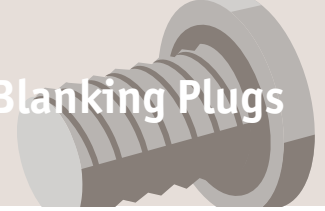
Order No.	d ₁ x p	d ₂ tol. h14	h ₁ ±0.5	d ₃	d ₄	l ₁	l ₂ ±0.2	t ₁	A/F	Material
P0183.420-200-ZP	M42 x2,0	49	5	42.3	49.0	21	16	2.0	22	Zinc Plated
P0183.450-150-ZP	M45 x1,5	55	5	48.3	55.0	21	16	2.0	24	Zinc Plated
P0183.450-200-ZP	M45 x2	55	5	48.3	55.0	21	16	2.0	24	Zinc Plated
P0183.480-150-ZP	M48 x1,5	55	5	48.3	55.0	21	16	2.0	24	Zinc Plated
P0183.480-200-ZP	M48 x2,0	55	5	48.3	55.0	21	16	2.0	24	Zinc Plated
P0183.520-150-ZP	M52 x1,5	60	5	52.3	60.0	21	16	2.0	24	Zinc Plated
P0183.520-200-ZP	M52 x2	60	5	52.3	60.0	21	16	2.0	24	Zinc Plated
P0183.560-200-ZP	M56 x2,0	64	5	56.3	64.0	25	20	2.0	32	Zinc Plated
P0183.600-200-ZP	M60 x2,0	68	5	60.3	68.0	25	20	2.0	32	Zinc Plated
P0183.640-200-ZP	M64 x2,0	72	5	64.3	72.0	25	20	2.0	32	Zinc Plated
P0183.G1/8-ZP	G1/8"	14	3	10.0	13.5	11	8	1	5	Zinc Plated
P0183.G1/4-ZP	G1/4"	18	3	13.4	18.0	15	12	1.5	6	Zinc Plated
P0183.G3/8-ZP	G3/8"	22	3	17.0	21.0	15	12	1.5	8	Zinc Plated
P0183.G1/2-ZP	G1/2"	26	4	21.3	26.0	18	14	1.5	10	Zinc Plated
P0183.G5/8-ZP	G5/8"	28	4	24.0	28.0	18	14	1.5	12	Zinc Plated
P0183.G3/4-ZP	G3/4"	32	4	26.7	32.0	20	16	2	12	Zinc Plated
P0183.G7/8-ZP	G7/8"	36	4	29.4	36.0	20	16	2	12	Zinc Plated
P0183.G1-ZP	G1"	39	5	33.5	39.0	21	16	2	17	Zinc Plated
P0183.G1-1/8-ZP	G1-1/8"	44	5	36.2	44.0	21	16	2	19	Zinc Plated
P0183.G1-1/4-ZP	G1 1/4"	49	5	42.2	49.0	21	16	2	22	Zinc Plated
P0183.G1-1/2-ZP	G1-1/2"	55	5	48.1	55.0	21	16	2	24	Zinc Plated
P0183.G1-3/4-ZP	G1-3/4"	62	5	51.8	62.0	25	20	2	32	Zinc Plated
P0183.G2-ZP	G2"	68	5	54.5	68.0	25	20	2	32	Zinc Plated
P0183.G2-1/2-ZP	G2-1/2"	68	5	54.5	68.0	25	20	2	32	Zinc Plated
P0183.G3-ZP	G3"	68	5	54.5	68.0	25	20	2	32	Zinc Plated
P0183.080-100-SC	M 8 x1,0	12	3	8.3	11.5	11	8	1.0	4	Self Colour
P0183.100-075-SC	M10 x0,75	14	3	10.3	13.5	11	8	1.0	5	Self Colour
P0183.100-100-SC	M10 x1,0	14	3	10.3	13.5	11	8	1.0	5	Self Colour
P0183.100-125-SC	M10 x1,25	14	3	10.3	13.5	11	8	1.0	5	Self Colour
P0183.100-150-SC	M10 x1,5	14	3	10.3	13.5	11	8	1.0	5	Self Colour
P0183.120-100-SC	M12 x1	17	3	12.3	16.0	15	12	1.5	6	Self Colour
P0183.120-125-SC	M12 x1,25	17	3	12.3	16.0	15	12	1.5	6	Self Colour
P0183.120-150-SC	M12 x1,5	17	3	12.3	16.0	15	12	1.5	6	Self Colour
P0183.140-125-SC	M14 x1,25	19	3	14.3	18.0	15	12	1.5	6	Self Colour
P0183.140-150-SC	M14 x1,5	19	3	14.3	18.0	15	12	1.5	6	Self Colour
P0183.160-100-SC	M16 x1	21	3	16.3	20.0	15	12	1.5	8	Self Colour
P0183.160-150-SC	M16 x1,5	21	3	16.3	20.0	15	12	1.5	8	Self Colour
P0183.160-200-SC	M16 x2	21	3	16.3	20.0	15	12	1.5	8	Self Colour
P0183.180-150-SC	M18 x1,5	23	4	18.3	22.0	16	12	1.5	8	Self Colour
P0183.200-150-SC	M20 x1,5	25	4	20.3	24.0	18	14	1.5	10	Self Colour
P0183.220-150-SC	M22 x1,5	27	4	22.3	27.0	18	14	1.5	10	Self Colour
P0183.240-150-SC	M24 x1,5	29	4	24.3	29.0	18	14	2.0	12	Self Colour
P0183.260-150-SC	M26 x1,5	31	4	26.3	31.0	20	16	2.0	12	Self Colour
P0183.270-200-SC	M27 x2,0	32	4	27.3	32.0	20	16	2.0	12	Self Colour
P0183.300-150-SC	M30 x1,5	36	4	30.3	36.0	20	16	2.0	17	Self Colour
P0183.300-200-SC	M30 x2,0	36	4	30.3	36.0	20	16	2.0	17	Self Colour
P0183.330-150-SC	M33 x1,5	39	5	33.3	39.0	21	16	2.0	17	Self Colour
P0183.330-200-SC	M33 x2,0	39	5	33.3	39.0	21	16	2.0	17	Self Colour
P0183.360-150-SC	M36 x1,5	42	5	36.3	42.0	21	16	2.0	19	Self Colour
P0183.360-200-SC	M36 x2	42	5	36.3	42.0	21	16	2.0	19	Self Colour
P0183.380-150-SC	M38 x1,5	44	5	38.3	44.0	21	16	2.0	19	Self Colour
P0183.380-200-SC	M38 x2	44	5	38.3	44.0	21	16	2.0	19	Self Colour
P0183.390-200-SC	M39 x2	44	5	38.3	44.0	21	16	2.0	19	Self Colour
P0183.420-150-SC	M42 x1,5	49	5	42.3	49.0	21	16	2.0	22	Self Colour
P0183.420-200-SC	M42 x2,0	49	5	42.3	49.0	21	16	2.0	22	Self Colour
P0183.450-150-SC	M45 x1,5	49	5	42.3	49.0	21	16	2.0	22	Self Colour
P0183.450-200-SC	M45 x2	49	5	42.3	49.0	21	16	2.0	22	Self Colour
P0183.480-150-SC	M48 x1,5	55	5	48.3	55.0	21	16	2.0	24	Self Colour
P0183.480-200-SC	M48 x2,0	55	5	48.3	55.0	21	16	2.0	24	Self Colour
P0183.520-150-SC	M52 x1,5	60	5	52.3	60.0	21	16	2.0	24	Self Colour
P0183.520-200-SC	M52 x2	60	5	52.3	60.0	21	16	2.0	24	Self Colour
P0183.560-200-SC	M56 x2,0	64	5	56.3	64.0	25	20	2.0	32	Self Colour
P0183.600-200-SC	M60 x2,0	68	5	60.3	68.0	25	20	2.0	32	Self Colour
P0183.640-200-SC	M64 x2,0	72	5	64.3	72.0	25	20	2.0	32	Self Colour
P0183.G1/8-SC	G1/8"	14	3	10.0	13.5	11	8	1.0	5	Self Colour
P0183.G1/4-SC	G1/4"	18	3	13.4	18.0	15	12	1.5	6	Self Colour
P0183.G3/8-SC	G3/8"	22	3	17.0	21.0	15	12	1.5	8	Self Colour
P0183.G1/2-SC	G1/2"	26	4	21.3	26.0	18	14	1.5	10	Self Colour



Blanking Plugs with Collar

metric & BSPP

Blanking Plugs



Order No.	d ₁ x p	d ₂ tol. h14	h ₁ ±0.5	d ₃	d ₄	l ₁	l ₂ ±0.2	t ₁	A/F	Material
P0183.G5/8-SC	G5/8"	28	4	24.0	28.0	18	14	1.5	12	Self Colour
P0183.G3/4-SC	G3/4"	32	4	26.7	32.0	20	16	2.0	12	Self Colour
P0183.G7/8-SC	G7/8"	36	4	29.4	36.0	20	16	2.0	12	Self Colour
P0183.G1-SC	G1"	39	5	33.5	39.0	21	16	2.0	17	Self Colour
P0183.G1-1/8-SC	G1-1/8"	44	5	36.2	44.0	21	16	2.0	19	Self Colour
P0183.G1-1/4-SC	G1 1/4"	49	5	42.2	49.0	21	16	2.0	22	Self Colour
P0183.G1-1/2-SC	G1-1/2"	55	5	48.1	55.0	21	16	2.0	24	Self Colour
P0183.G1-3/4-SC	G1-3/4"	62	5	51.8	62.0	25	20	2.0	32	Self Colour
P0183.G2-SC	G2"	68	5	54.5	68.0	25	20	2.0	32	Self Colour
P0183.080-100-A4	M 8 x1,0	12	3	8.3	11.5	11	8	1.0	4	A4 s/s
P0183.100-100-A4	M10 x1,0	14	3	10.3	13.5	11	8	1.0	5	A4 s/s
P0183.120-100-A4	M12 x1	17	3	12.3	16.0	15	12	1.5	6	A4 s/s
P0183.120-150-A4	M12 x1,5	17	3	12.3	16.0	15	12	1.5	6	A4 s/s
P0183.140-150-A4	M14 x1,5	19	3	14.3	18.0	15	12	1.5	6	A4 s/s
P0183.160-150-A4	M16 x1,5	21	3	16.3	20.0	15	12	1.5	8	A4 s/s
P0183.180-150-A4	M18 x1,5	23	4	18.3	22.0	16	12	1.5	8	A4 s/s
P0183.200-150-A4	M20 x1,5	25	4	20.3	24.0	18	14	1.5	10	A4 s/s
P0183.220-150-A4	M22 x1,5	27	4	22.3	27.0	18	14	1.5	10	A4 s/s
P0183.240-150-A4	M24 x1,5	29	4	24.3	29.0	18	14	2.0	12	A4 s/s
P0183.260-150-A4	M26 x1,5	31	4	26.3	31.0	20	16	2.0	12	A4 s/s
P0183.270-200-A4	M27 x2,0	32	4	27.3	32.0	20	16	2.0	12	A4 s/s
P0183.300-150-A4	M30 x1,5	36	4	30.3	36.0	20	16	2.0	17	A4 s/s
P0183.300-200-A4	M30 x2,0	36	4	30.3	36.0	20	16	2.0	17	A4 s/s
P0183.360-150-A4	M36 x1,5	36	4	30.3	36.0	20	16	2.0	17	A4 s/s
P0183.380-150-A4	M38 x1,5	36	4	30.3	36.0	20	16	2.0	17	A4 s/s
P0183.420-150-A4	M42 x1,5	36	4	30.3	36.0	20	16	2.0	17	A4 s/s
P0183.420-200-A4	M42 x2	36	4	30.3	36.0	20	16	2.0	17	A4 s/s
P0183.450-150-A4	M45 x1,5	36	4	30.3	36.0	20	16	2.0	17	A4 s/s
P0183.480-200-A4	M48 x2	36	4	30.3	36.0	20	16	2.0	17	A4 s/s
P0183.520-200-A4	M52 x2	36	4	30.3	36.0	20	16	2.0	17	A4 s/s
P0183.G1/8-A4	G1/8"	14	3	10.0	13.5	11	8	1.0	5	A4 s/s
P0183.G1/4-A4	G1/4"	18	3	13.4	18.0	15	12	1.5	6	A4 s/s
P0183.G3/8-A4	G3/8"	22	3	17.0	21.0	15	12	1.5	8	A4 s/s
P0183.G1/2-A4	G1/2"	26	4	21.3	26.0	18	14	1.5	10	A4 s/s
P0183.G5/8-A4	G5/8"	28	4	24.0	28.0	18	14	1.5	12	A4 s/s
P0183.G3/4-A4	G3/4"	32	4	26.7	32.0	20	16	2.0	12	A4 s/s
P0183.G7/8-A4	G7/8"	36	4	29.4	36.0	20	16	2.0	12	A4 s/s
P0183.G1-A4	G1"	39	5	33.5	39.0	21	16	2.0	17	A4 s/s
P0183.G1-1/8-A4	G1-1/8"	44	5	36.2	44.0	21	16	2.0	19	A4 s/s
P0183.G1-1/4-A4	G1 1/4"	49	5	42.2	49.0	21	16	2.0	22	A4 s/s
P0183.G1-1/2-A4	G1-1/2"	55	5	48.1	55.0	21	16	2.0	24	A4 s/s
P0183.G1-3/4-A4	G1-3/4"	62	5	51.8	62.0	25	20	2.0	32	A4 s/s
P0183.G2-A4	G2"	68	5	54.5	68.0	25	20	2.0	32	A4 s/s
P0183.080-100-A2	M 8 x1,0	12	3	8.3	11.5	11	8	1.0	4	A2 s/s
P0183.100-100-A2	M10 x1,0	14	3	10.3	13.5	11	8	1.0	5	A2 s/s
P0183.120-150-A2	M12 x1,5	17	3	12.3	16.0	15	12	1.5	6	A2 s/s
P0183.140-150-A2	M14 x1,5	19	3	14.3	18.0	15	12	1.5	6	A2 s/s
P0183.160-150-A2	M16 x1,5	21	3	16.3	20.0	15	12	1.5	8	A2 s/s
P0183.180-150-A2	M18 x1,5	23	4	18.3	22.0	16	12	1.5	8	A2 s/s
P0183.200-150-A2	M20 x1,5	25	4	20.3	24.0	18	14	1.5	10	A2 s/s
P0183.220-150-A2	M22 x1,5	27	4	22.3	27.0	18	14	1.5	10	A2 s/s
P0183.240-150-A2	M24 x1,5	29	4	24.3	29.0	18	14	2.0	12	A2 s/s
P0183.260-150-A2	M26 x1,5	31	4	26.3	31.0	20	16	2.0	12	A2 s/s
P0183.270-200-A2	M27 x2,0	32	4	27.3	32.0	20	16	2.0	12	A2 s/s
P0183.300-150-A2	M30 x1,5	36	4	30.3	36.0	20	16	2.0	17	A2 s/s
P0183.300-200-A2	M30 x2,0	36	4	30.3	36.0	20	16	2.0	17	A2 s/s
P0183.G1/8-A2	G1/8"	14	3	10.0	13.5	11	8	1.0	5	A2 s/s
P0183.G1/4-A2	G1/4"	18	3	13.4	18.0	15	12	1.5	6	A2 s/s
P0183.G3/8-A2	G3/8"	22	3	17.0	21.0	15	12	1.5	8	A2 s/s
P0183.G1/2-A2	G1/2"	26	4	21.3	26.0	18	14	1.5	10	A2 s/s
P0183.G5/8-A2	G5/8"	28	4	24.0	28.0	18	14	1.5	12	A2 s/s
P0183.G3/4-A2	G3/4"	32	4	26.7	32.0	20	16	2.0	12	A2 s/s
P0183.G7/8-A2	G7/8"	36	4	29.4	36.0	20	16	2.0	12	A2 s/s
P0183.G1-A2	G1"	39	5	33.5	39.0	21	16	2.0	17	A2 s/s
P0183.G1-1/8-A2	G1-1/8"	44	5	36.2	44.0	21	16	2.0	19	A2 s/s
P0183.G1-1/4-A2	G1 1/4"	49	5	42.2	49.0	21	16	2.0	22	A2 s/s
P0183.G1-1/2-A2	G1-1/2"	55	5	48.1	55.0	21	16	2.0	24	A2 s/s
P0183.G1-3/4-A2	G1-3/4"	62	5	51.8	62.0	25	20	2.0	32	A2 s/s

BLANKING PLUGS



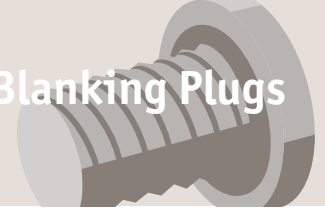
Blanking Plugs

Blanking Plugs with Collar metric & BSPP



BLANKING PLUGS

Order No.	d ₁ x p	d ₂ tol. h14	h ₁ ±0.5	d ₃	d ₄	l ₁	l ₂ ±0.2	t ₁	A/F	Material
P0183.G2-A2	G2"	68	5	54.5	68.0	25	20	2.0	32	A2 s/s
P0183.080-100-BR	M 8 x1,0	12	3	8.3	11.5	11	8	1.0	4	Brass
P0183.100-100-BR	M10 x1,0	14	3	10.3	13.5	11	8	1.0	5	Brass
P0183.120-150-BR	M12 x1,5	17	3	12.3	16.0	15	12	1.5	6	Brass
P0183.140-150-BR	M14 x1,5	19	3	14.3	18.0	15	12	1.5	6	Brass
P0183.160-150-BR	M16 x1,5	21	3	16.3	20.0	15	12	1.5	8	Brass
P0183.180-100-BR	M18 x1,0	23	4	18.3	22.0	16	12	1.5	8	Brass
P0183.180-150-BR	M18 x1,5	23	4	18.3	22.0	16	12	1.5	8	Brass
P0183.200-150-BR	M20 x1,5	25	4	20.3	24.0	18	14	1.5	10	Brass
P0183.220-150-BR	M22 x1,5	27	4	22.3	27.0	18	14	1.5	10	Brass
P0183.240-150-BR	M24 x1,5	29	4	24.3	29.0	18	14	2.0	12	Brass
P0183.260-150-BR	M26 x1,5	31	4	26.3	31.0	20	16	2.0	12	Brass
P0183.270-200-BR	M27 x2,0	32	4	27.3	32.0	20	16	2.0	12	Brass
P0183.300-150-BR	M30 x1,5	36	4	30.3	36.0	20	16	2.0	17	Brass
P0183.300-200-BR	M30 x2,0	36	4	30.3	36.0	20	16	2.0	17	Brass
P0183.330-200-BR	M33 x2,0	39	5	33.3	39.0	21	16	2.0	17	Brass
P0183.360-150-BR	M36 x1,5	42	5	36.3	42.0	21	16	2.0	19	Brass
P0183.360-200-BR	M36 x2	42	5	36.3	42.0	21	16	2.0	19	Brass
P0183.380-150-BR	M38 x1,5	44	5	38.3	44.0	21	16	2.0	19	Brass
P0183.420-150-BR	M42 x1,5	49	5	42.3	49.0	21	16	2.0	22	Brass
P0183.420-200-BR	M42 x2,0	49	5	42.3	49.0	21	16	2.0	22	Brass
P0183.450-200-BR	M45 x2,0	49	5	42.3	49.0	21	16	2.0	22	Brass
P0183.480-150-BR	M48 x1,5	55	5	48.3	55.0	21	16	2.0	24	Brass
P0183.480-200-BR	M48 x2,0	55	5	48.3	55.0	21	16	2.0	24	Brass
P0183.520-150-BR	M52 x1,5	60	5	52.3	60.0	21	16	2.0	24	Brass
P0183.520-200-BR	M52 x2	60	5	52.3	60.0	21	16	2.0	24	Brass
P0183.560-200-BR	M56 x2,0	64	5	56.3	64.0	25	20	2.0	32	Brass
P0183.600-200-BR	M60 x2,0	68	5	60.3	68.0	25	20	2.0	32	Brass
P0183.640-200-BR	M64 x2,0	72	5	64.3	72.0	25	20	2.0	32	Brass
P0183.G1/8-BR	G1/8"	14	3	10.0	13.5	11	8	1.0	5	Brass
P0183.G1/4-BR	G1/4"	18	3	13.4	18.0	15	12	1.5	6	Brass
P0183.G3/8-BR	G3/8"	22	3	17.0	21.0	15	12	1.5	8	Brass
P0183.G1/2-BR	G1/2"	26	4	21.3	26.0	18	14	1.5	10	Brass
P0183.G5/8-BR	G5/8"	28	4	24.0	28.0	18	14	1.5	12	Brass
P0183.G3/4-BR	G3/4"	32	4	26.7	32.0	20	16	2.0	12	Brass
P0183.G7/8-BR	G7/8"	36	4	29.4	36.0	20	16	2.0	12	Brass
P0183.G1-BR	G1"	39	5	33.5	39.0	21	16	2.0	17	Brass
P0183.G1-1/8-BR	G1-1/8"	44	5	36.2	44.0	21	16	2.0	19	Brass
P0183.G1-1/4-BR	G1 1/4"	49	5	42.2	49.0	21	16	2.0	22	Brass
P0183.G1-1/2-BR	G1-1/2"	55	5	48.1	55.0	21	16	2.0	24	Brass
P0183.G1-3/4-BR	G1-3/4"	62	5	51.8	62.0	25	20	2.0	32	Brass
P0183.G2-BR	G2"	68	5	54.5	68.0	25	20	2.0	32	Brass



P0182
Hex head screw blanking plugs
DIN 910



P0183
Hex socket screw blanking plugs
DIN 908



P0184
Hex socket taper blanking plugs
DIN 906



P0184.NPT
Hex socket blanking plugs NPT
and NPTF dry seal



P0184.NL
Hex socket blanking plugs level
seal



P0187
Hexagon blanking plugs DIN
7604 A

Blanking Plugs from Automation Components

BLANKING PLUGS

Threads

Blanking plugs come with either metric or inch threads. Most metric threads are fine threads (to DIN 13).

Inch threads come in four types:

G indicates BSPP British Standard pipe parallel (to ISO 288)

R indicates BSPT British Standard pipe taper (to ISO 7)

NPT indicates National Standard pipe taper (to ANSI B1.20.1)

NPTF indicates National Standard pipe taper fuel dry seal (to ANSI B1.20.3)

NL indicates National Standard pipe taper fuel level seal (to ANSI B1.20.3)

Materials

Blanking Plugs are available in three material types:

Steel (untreated or zinc plated)

Stainless steel (A2, AISI 303 and A4, AISI 316)

Brass

Options: with built-in magnet or with NBR seal and O Ring.

NPT and NPTF pipe threads

The two most common US standard taper pipe threads used are National Pipe Taper (NPT) and National Pipe Taper Fuel (NPTF). Applications range from electrical conduits and hand railings to high-pressure pipe lines that carry gas or caustic fluids. NPT threads are for mechanical or low-pressure air or fluid applications and often require the use of sealing compounds like Teflon tape, to provide the seal.

When the application is more critical, and the sealing compound may fail due to high heat or pressure, NPTF Dryseal threads are used. This mechanical seal is produced by the mating and slight crushing of the threads when a wrench is applied to tighten the fittings.