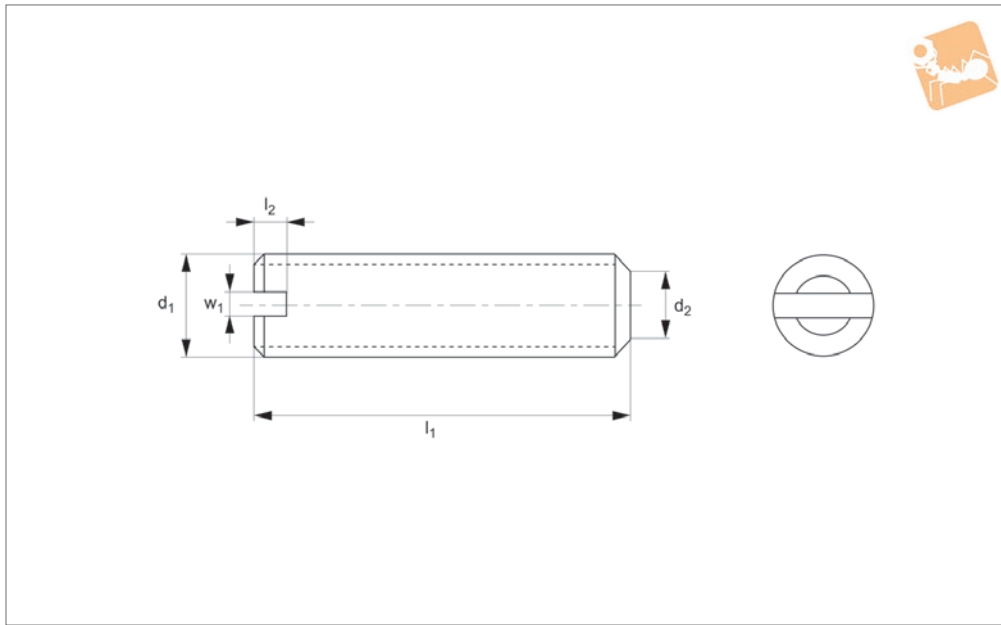




Slotted Set Screws Flat Point

Flat Point - steel, zinc-plated

Standard Screws



P0277.ZP

STANDARD SCREWS

Material

Steel, zinc-plated (class 14H).

Technical Notes

To DIN 551, flat point.

Order No.	d ₁	l ₁	d ₂	l ₂ min.	w ₁	Size
P0277.016-002-ZP	M1,6	2	0.55	0.74	0.25	0,16X0,8
P0277.016-003-ZP	M1,6	3	0.55	0.74	0.25	0,16X0,8
P0277.016-004-ZP	M1,6	4	0.55	0.74	0.25	0,16X0,8
P0277.016-005-ZP	M1,6	5	0.55	0.74	0.25	0,16X0,8
P0277.016-006-ZP	M1,6	6	0.55	0.74	0.25	0,16X0,8
P0277.016-008-ZP	M1,6	8	0.55	0.74	0.25	0,16X0,8
P0277.016-010-ZP	M1,6	10	0.55	0.74	0.25	0,16X0,8
P0277.020-002-ZP	M 2	2	0.75	0.84	0.25	0,25X1,2
P0277.020-003-ZP	M 2	3	0.75	0.84	0.25	0,25X1,2
P0277.020-004-ZP	M 2	4	0.75	0.84	0.25	0,25X1,2
P0277.020-005-ZP	M 2	5	0.75	0.84	0.25	0,25X1,2
P0277.020-006-ZP	M 2	6	0.75	0.84	0.25	0,25X1,2
P0277.020-008-ZP	M 2	8	0.75	0.84	0.25	0,25X1,2
P0277.020-010-ZP	M 2	10	0.75	0.84	0.25	0,25X1,2
P0277.025-003-ZP	M2,5	3	1.25	0.95	0.40	0,4X2,0
P0277.025-004-ZP	M2,5	4	1.25	0.95	0.40	0,4X2,0
P0277.025-005-ZP	M2,5	5	1.25	0.95	0.40	0,4X2,0
P0277.025-006-ZP	M2,5	6	1.25	0.95	0.40	0,4X2,0
P0277.025-008-ZP	M2,5	8	1.25	0.95	0.40	0,4X2,0
P0277.025-010-ZP	M2,5	10	1.25	0.95	0.40	0,4X2,0
P0277.030-003-ZP	M 3	3	1.75	1.05	0.40	0,4X2,0
P0277.030-004-ZP	M 3	4	1.75	1.05	0.40	0,4X2,0
P0277.030-005-ZP	M 3	5	1.75	1.05	0.40	0,4X2,0
P0277.030-006-ZP	M 3	6	1.75	1.05	0.40	0,4X2,0
P0277.030-008-ZP	M 3	8	1.75	1.05	0.40	0,4X2,0
P0277.030-010-ZP	M 3	10	1.75	1.05	0.40	0,4X2,0
P0277.030-012-ZP	M 3	12	1.75	1.05	0.40	0,4X2,0
P0277.030-016-ZP	M 3	16	1.75	1.05	0.40	0,4X2,0
P0277.030-020-ZP	M 3	20	1.75	1.05	0.40	0,4X2,0
P0277.040-004-ZP	M 4	4	2.25	1.42	0.60	0,6X3,5
P0277.040-005-ZP	M 4	5	2.25	1.42	0.60	0,6X3,5
P0277.040-006-ZP	M 4	6	2.25	1.42	0.60	0,6X3,5
P0277.040-008-ZP	M 4	8	2.25	1.42	0.60	0,6X3,5
P0277.040-010-ZP	M 4	10	2.25	1.42	0.60	0,6X3,5



Order No.	d ₁	l ₁	d ₂	l ₂ min.	w ₁	Size
P0277.040-012-ZP	M 4	12	2.25	1.42	0.60	0,6X3,5
P0277.040-016-ZP	M 4	16	2.25	1.42	0.60	0,6X3,5
P0277.040-020-ZP	M 4	20	2.25	1.42	0.60	0,6X3,5
P0277.040-025-ZP	M 4	25	2.25	1.42	0.60	0,6X3,5
P0277.040-030-ZP	M 4	30	2.25	1.42	0.60	0,6X3,5
P0277.040-035-ZP	M 4	35	2.25	1.42	0.60	0,6X3,5
P0277.040-040-ZP	M 4	40	2.25	1.42	0.60	0,6X3,5
P0277.040-045-ZP	M 4	45	2.25	1.42	0.60	0,6X3,5
P0277.040-050-ZP	M 4	50	2.25	1.42	0.60	0,6X3,5
P0277.050-005-ZP	M 5	5	3.20	1.63	0.80	0,8X4,0
P0277.050-006-ZP	M 5	6	3.20	1.63	0.80	0,8X4,0
P0277.050-008-ZP	M 5	8	3.20	1.63	0.80	0,8X4,0
P0277.050-010-ZP	M 5	10	3.20	1.63	0.80	0,8X4,0
P0277.050-012-ZP	M 5	12	3.20	1.63	0.80	0,8X4,0
P0277.050-016-ZP	M 5	16	3.20	1.63	0.80	0,8X4,0
P0277.050-020-ZP	M 5	20	3.20	1.63	0.80	0,8X4,0
P0277.050-025-ZP	M 5	25	3.20	1.63	0.80	0,8X4,0
P0277.050-030-ZP	M 5	30	3.20	1.63	0.80	0,8X4,0
P0277.050-035-ZP	M 5	35	3.20	1.63	0.80	0,8X4,0
P0277.050-040-ZP	M 5	40	3.20	1.63	0.80	0,8X4,0
P0277.050-045-ZP	M 5	45	3.20	1.63	0.80	0,8X4,0
P0277.050-050-ZP	M 5	50	3.20	1.63	0.80	0,8X4,0
P0277.060-006-ZP	M 6	6	3.70	2.00	1.00	1,0X5,5
P0277.060-008-ZP	M 6	8	3.70	2.00	1.00	1,0X5,5
P0277.060-010-ZP	M 6	10	3.70	2.00	1.00	1,0X5,5
P0277.060-012-ZP	M 6	12	3.70	2.00	1.00	1,0X5,5
P0277.060-016-ZP	M 6	16	3.70	2.00	1.00	1,0X5,5
P0277.060-020-ZP	M 6	20	3.70	2.00	1.00	1,0X5,5
P0277.060-025-ZP	M 6	25	3.70	2.00	1.00	1,0X5,5
P0277.060-030-ZP	M 6	30	3.70	2.00	1.00	1,0X5,5
P0277.060-035-ZP	M 6	35	3.70	2.00	1.00	1,0X5,5
P0277.060-040-ZP	M 6	40	3.70	2.00	1.00	1,0X5,5
P0277.060-050-ZP	M 6	50	3.70	2.00	1.00	1,0X5,5
P0277.060-060-ZP	M 6	60	3.70	2.00	1.00	1,0X5,5
P0277.080-008-ZP	M 8	8	5.20	2.50	1.20	1,2X7,0
P0277.080-010-ZP	M 8	10	5.20	2.50	1.20	1,2X7,0
P0277.080-012-ZP	M 8	12	5.20	2.50	1.20	1,2X7,0
P0277.080-016-ZP	M 8	16	5.20	2.50	1.20	1,2X7,0
P0277.080-020-ZP	M 8	20	5.20	2.50	1.20	1,2X7,0
P0277.080-025-ZP	M 8	25	5.20	2.50	1.20	1,2X7,0
P0277.080-030-ZP	M 8	30	5.20	2.50	1.20	1,2X7,0
P0277.080-035-ZP	M 8	35	5.20	2.50	1.20	1,2X7,0
P0277.080-040-ZP	M 8	40	5.20	2.50	1.20	1,2X7,0
P0277.080-045-ZP	M 8	45	5.20	2.50	1.20	1,2X7,0
P0277.080-050-ZP	M 8	50	5.20	2.50	1.20	1,2X7,0
P0277.080-055-ZP	M 8	55	5.20	2.50	1.20	1,2X7,0
P0277.080-060-ZP	M 8	60	5.20	2.50	1.20	1,2X7,0
P0277.080-070-ZP	M 8	70	5.20	2.50	1.20	1,2X7,0
P0277.100-010-ZP	M10	10	6.64	3.00	1.60	1,6X9,0
P0277.100-012-ZP	M10	12	6.64	3.00	1.60	1,6X9,0
P0277.120-012-ZP	M12	12	8.14	3.60	2.00	2,0X12,0
P0277.120-016-ZP	M12	16	8.14	3.60	2.00	2,0X12,0
P0277.120-020-ZP	M12	20	8.14	3.60	2.00	2,0X12,0
P0277.120-025-ZP	M12	25	8.14	3.60	2.00	2,0X12,0
P0277.120-030-ZP	M12	30	8.14	3.60	2.00	2,0X12,0
P0277.120-035-ZP	M12	35	8.14	3.60	2.00	2,0X12,0
P0277.120-040-ZP	M12	40	8.14	3.60	2.00	2,0X12,0
P0277.120-045-ZP	M12	45	8.14	3.60	2.00	2,0X12,0
P0277.120-050-ZP	M12	50	8.14	3.60	2.00	2,0X12,0
P0277.120-055-ZP	M12	55	8.14	3.60	2.00	2,0X12,0
P0277.120-060-ZP	M12	60	8.14	3.60	2.00	2,0X12,0
P0277.120-070-ZP	M12	70	8.14	3.60	2.00	2,0X12,0
P0277.120-080-ZP	M12	80	8.14	3.60	2.00	2,0X12,0
P0277.100-016-ZP	M10	16	6.64	3.00	1.60	1,6X9,0
P0277.100-020-ZP	M10	20	6.64	3.00	1.60	1,6X9,0
P0277.100-025-ZP	M10	25	6.64	3.00	1.60	1,6X9,0
P0277.100-030-ZP	M10	30	6.64	3.00	1.60	1,6X9,0
P0277.100-035-ZP	M10	35	6.64	3.00	1.60	1,6X9,0



Slotted Set Screws Flat Point

Flat Point - steel, zinc-plated

Standard Screws



Order No.	d ₁	l ₁	d ₂	l ₂ min.	w ₁	Size
P0277.100-040-ZP	M10	40	6.64	3.00	1.60	1,6X9,0
P0277.100-045-ZP	M10	45	6.64	3.00	1.60	1,6X9,0
P0277.100-050-ZP	M10	50	6.64	3.00	1.60	1,6X9,0
P0277.100-055-ZP	M10	55	6.64	3.00	1.60	1,6X9,0
P0277.100-060-ZP	M10	60	6.64	3.00	1.60	1,6X9,0
P0277.100-070-ZP	M10	70	6.64	3.00	1.60	1,6X9,0
P0277.100-080-ZP	M10	80	6.64	3.00	1.60	1,6X9,0

STANDARD SCREWS