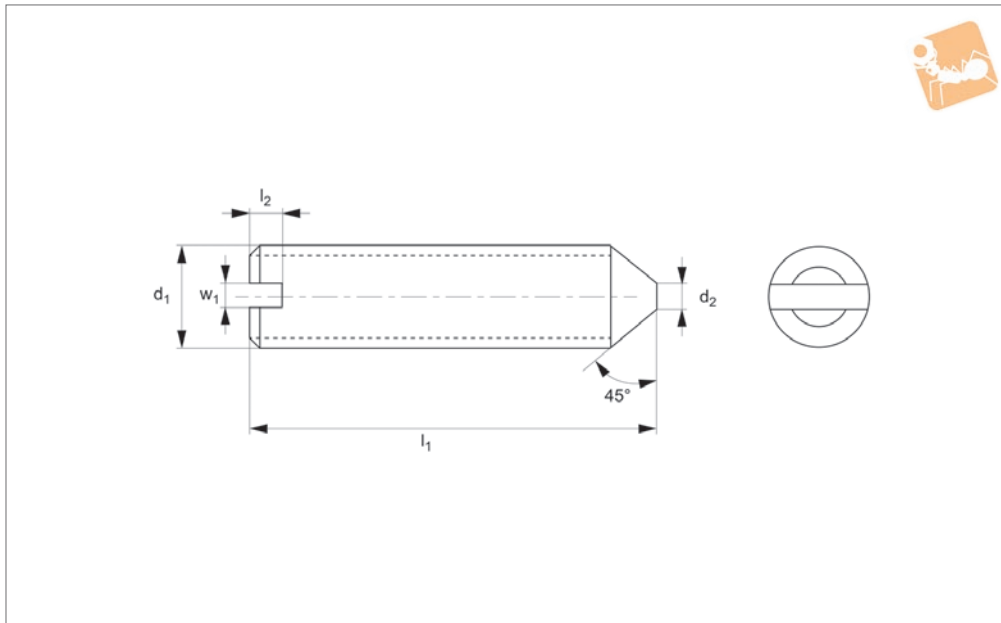




Slotted Set Screws Cone Point

Cone Point - steel, zinc-plated

Standard Screws



P0278.ZP

STANDARD SCREWS

Material

Steel, zinc-plated (class 14H).

Technical Notes

To DIN 553, cone point.

Order No.	d ₁	l ₁	d ₂	l ₂ min.	w ₁	Size
P0278.025-005-ZP	M2,5	5	0.25	0.95	0.4	0,4X2,0
P0278.025-006-ZP	M2,5	6	0.25	0.95	0.4	0,4X2,0
P0278.025-008-ZP	M2,5	8	0.25	0.95	0.4	0,4X2,0
P0278.025-010-ZP	M2,5	10	0.25	0.95	0.4	0,4X2,0
P0278.025-012-ZP	M2,5	12	0.25	0.95	0.4	0,4X2,0
P0278.025-016-ZP	M2,5	16	0.25	0.95	0.4	0,4X2,0
P0278.030-004-ZP	M 3	4	0.30	1.05	0.4	0,4X2,0
P0278.030-005-ZP	M 3	5	0.30	1.05	0.4	0,4X2,0
P0278.030-006-ZP	M 3	6	0.30	1.05	0.4	0,4X2,0
P0278.030-008-ZP	M 3	8	0.30	1.05	0.4	0,4X2,0
P0278.030-010-ZP	M 3	10	0.30	1.05	0.4	0,4X2,0
P0278.030-012-ZP	M 3	12	0.30	1.05	0.4	0,4X2,0
P0278.030-016-ZP	M 3	16	0.30	1.05	0.4	0,4X2,0
P0278.030-020-ZP	M 3	20	0.30	1.05	0.4	0,4X2,0
P0278.040-004-ZP	M 4	4	0.40	1.42	0.6	0,6X3,5
P0278.040-005-ZP	M 4	5	0.40	1.42	0.6	0,6X3,5
P0278.040-006-ZP	M 4	6	0.40	1.42	0.6	0,6X3,5
P0278.040-008-ZP	M 4	8	0.40	1.42	0.6	0,6X3,5
P0278.040-010-ZP	M 4	10	0.40	1.42	0.6	0,6X3,5
P0278.040-012-ZP	M 4	12	0.40	1.42	0.6	0,6X3,5
P0278.040-014-ZP	M 4	14	0.40	1.42	0.6	0,6X3,5
P0278.040-016-ZP	M 4	16	0.40	1.42	0.6	0,6X3,5
P0278.040-020-ZP	M 4	20	0.40	1.42	0.6	0,6X3,5
P0278.040-025-ZP	M 4	25	0.40	1.42	0.6	0,6X3,5
P0278.040-030-ZP	M 4	30	0.40	1.42	0.6	0,6X3,5
P0278.040-035-ZP	M 4	35	0.40	1.42	0.6	0,6X3,5
P0278.040-040-ZP	M 4	40	0.40	1.42	0.6	0,6X3,5
P0278.050-005-ZP	M 5	5	0.50	1.63	0.8	0,8X4,0
P0278.050-006-ZP	M 5	6	0.50	1.63	0.8	0,8X4,0
P0278.050-008-ZP	M 5	8	0.50	1.63	0.8	0,8X4,0
P0278.050-010-ZP	M 5	10	0.50	1.63	0.8	0,8X4,0
P0278.050-012-ZP	M 5	12	0.50	1.63	0.8	0,8X4,0
P0278.050-014-ZP	M 5	14	0.50	1.63	0.8	0,8X4,0
P0278.050-016-ZP	M 5	16	0.50	1.63	0.8	0,8X4,0



Order No.	d ₁	l ₁	d ₂	l ₂ min.	w ₁	Size
P0278.050-020-ZP	M 5	20	0.50	1.63	0.8	0,8X4,0
P0286.050-025-ZP	M 5	25	0.50	1.63	0.8	0,8X4,0
P0278.050-030-ZP	M 5	30	0.50	1.63	0.8	0,8X4,0
P0278.050-035-ZP	M 5	35	0.50	1.63	0.8	0,8X4,0
P0278.050-040-ZP	M 5	40	0.50	1.63	0.8	0,8X4,0
P0278.060-006-ZP	M 6	6	1.50	2.0	1.0	1,0X5,5
P0278.060-008-ZP	M 6	8	1.50	2.0	1.0	1,0X5,5
P0278.060-010-ZP	M 6	10	1.50	2.0	1.0	1,0X5,5
P0278.060-012-ZP	M 6	12	1.50	2.0	1.0	1,0X5,5
P0278.060-014-ZP	M 6	14	1.50	2.0	1.0	1,0X5,5
P0278.060-016-ZP	M 6	16	1.50	2.0	1.0	1,0X5,5
P0278.060-018-ZP	M 6	18	1.50	2.0	1.0	1,0X5,5
P0278.060-020-ZP	M 6	20	1.50	2.0	1.0	1,0X5,5
P0278.060-025-ZP	M 6	25	1.50	2.0	1.0	1,0X5,5
P0278.060-030-ZP	M 6	30	1.50	2.0	1.0	1,0X5,5
P0278.060-035-ZP	M 6	35	1.50	2.0	1.0	1,0X5,5
P0278.060-040-ZP	M 6	40	1.50	2.0	1.0	1,0X5,5
P0278.060-045-ZP	M 6	45	1.50	2.0	1.0	1,0X5,5
P0278.060-050-ZP	M 6	50	1.50	2.0	1.0	1,0X5,5
P0278.080-008-ZP	M 8	8	2.00	2.50	1.2	1,2X7,0
P0278.080-010-ZP	M 8	10	2.00	2.50	1.2	1,2X7,0
P0278.080-012-ZP	M 8	12	2.00	2.50	1.2	1,2X7,0
P0278.080-014-ZP	M 8	14	2.00	2.50	1.2	1,2X7,0
P0278.080-016-ZP	M 8	16	2.00	2.50	1.2	1,2X7,0
P0278.080-018-ZP	M 8	18	2.00	2.50	1.2	1,2X7,0
P0278.080-020-ZP	M 8	20	2.00	2.50	1.2	1,2X7,0
P0278.080-025-ZP	M 8	25	2.00	2.50	1.2	1,2X7,0
P0278.080-030-ZP	M 8	30	2.00	2.50	1.2	1,2X7,0
P0278.080-035-ZP	M 8	35	2.00	2.50	1.2	1,2X7,0
P0278.080-040-ZP	M 8	40	2.00	2.50	1.2	1,2X7,0
P0278.080-050-ZP	M 8	50	2.00	2.50	1.2	1,2X7,0
P0278.100-010-ZP	M10	10	2.50	3.00	1.6	1,6X9,0
P0278.100-012-ZP	M10	12	2.50	3.00	1.6	1,6X9,0
P0278.100-016-ZP	M10	16	2.50	3.00	1.6	1,6X9,0
P0278.100-020-ZP	M10	20	2.50	3.00	1.6	1,6X9,0
P0278.100-025-ZP	M10	25	2.50	3.00	1.6	1,6X9,0
P0278.100-030-ZP	M10	30	2.50	3.00	1.6	1,6X9,0
P0278.100-035-ZP	M10	35	2.50	3.00	1.6	1,6X9,0
P0278.100-040-ZP	M10	40	2.50	3.00	1.6	1,6X9,0
P0278.100-045-ZP	M10	45	2.50	3.00	1.6	1,6X9,0
P0278.100-050-ZP	M10	50	2.50	3.00	1.6	1,6X9,0
P0278.120-012-ZP	M12	12	3.00	3.60	2.0	2,0X12,0
P0278.120-016-ZP	M12	16	3.00	3.60	2.0	2,0X12,0
P0278.120-020-ZP	M12	20	3.00	3.60	2.0	2,0X12,0
P0278.120-025-ZP	M12	25	3.00	3.60	2.0	2,0X12,0
P0278.120-030-ZP	M12	30	3.00	3.60	2.0	2,0X12,0
P0278.120-035-ZP	M12	35	3.00	3.60	2.0	2,0X12,0
P0278.120-040-ZP	M12	40	3.00	3.60	2.0	2,0X12,0
P0278.120-045-ZP	M12	45	3.00	3.60	2.0	2,0X12,0
P0278.120-050-ZP	M12	50	3.00	3.60	2.0	2,0X12,0