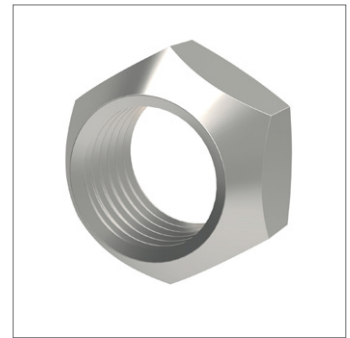
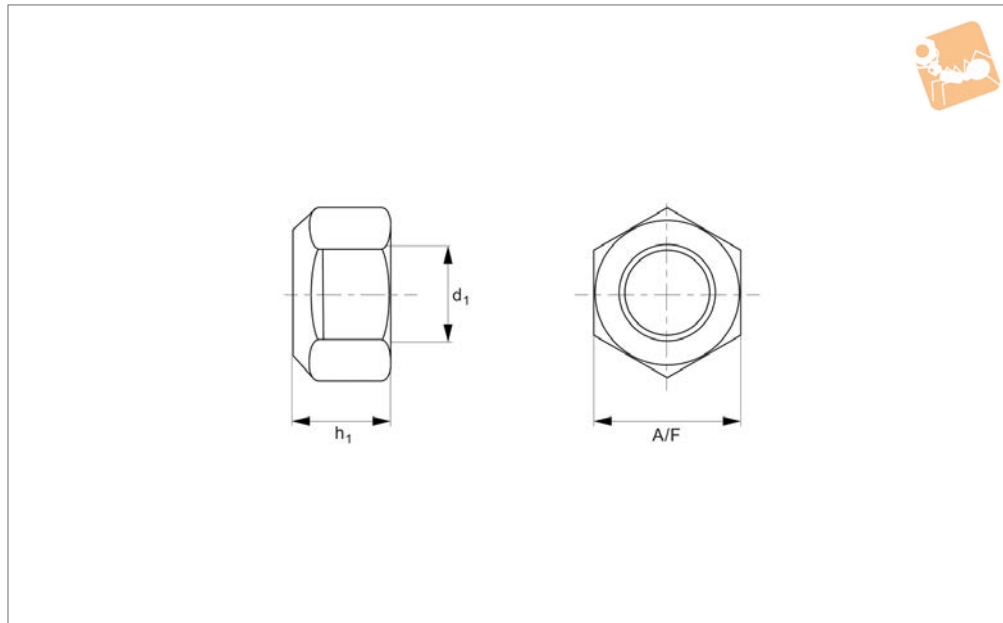




# Stover Nuts

oval lock nuts



## P0308.A2

NUTS

**Material**  
Stainless steel (A2).

**Technical Notes**  
To DIN 980 V.

Reusable, resistant to shocks, vibrations and dynamic loads.  
The locking function is achieved by the deformation of part of the nut. The nut will

run smoothly until it reaches the deformed part at which point the clamping force will increase.

Order No.	d <sub>1</sub>	h <sub>1</sub>	A/F	Material
P0308.030-A2	M 3	3	5.5	A2 s/s
P0308.040-A2	M 4	4	7	A2 s/s
P0308.050-A2	M 5	5	8	A2 s/s
P0308.060-A2	M 6	6	10	A2 s/s
P0308.080-A2	M 8	8	13	A2 s/s
P0308.100-A2	M10	10	17	A2 s/s
P0308.120-A2	M12	12	19	A2 s/s
P0308.160-A2	M16	16	24	A2 s/s
P0308.200-A2	M20	20	30	A2 s/s
P0308.220-A2	M22	22	32	A2 s/s
P0308.240-A2	M24	24	36	A2 s/s