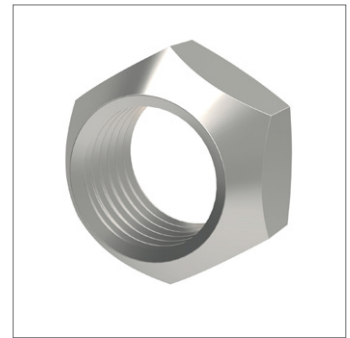
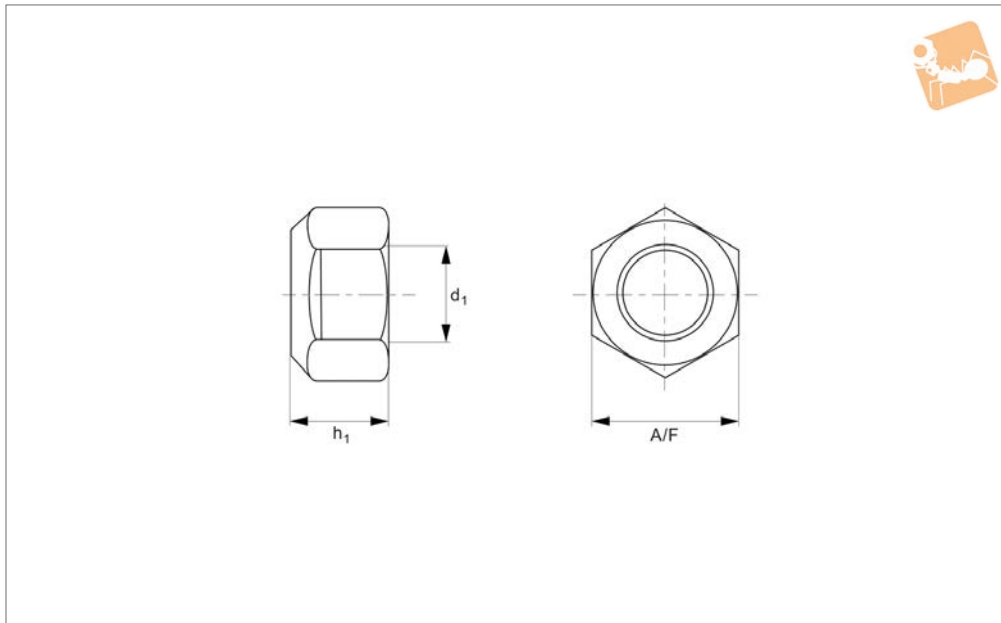




Stover Nuts

oval lock nuts



P0308.ZP

NUTS

Material

Steel (class 8), zinc-plated.

Reusable, resistant to shocks, vibrations and dynamic loads.

run smoothly until it reaches the deformed part at which point the clamping force will increase.

Technical Notes

To DIN 980 V.

The locking function is achieved by the deformation of part of the nut. The nut will

| Order No. | d ₁ | h ₁ | A/F | Material |
|--------------|----------------|----------------|-----|----------|
| P0308.050-ZP | M 5 | 5 | 8 | Steel ZP |
| P0308.060-ZP | M 6 | 6 | 10 | Steel ZP |
| P0308.080-ZP | M 8 | 8 | 13 | Steel ZP |
| P0308.100-ZP | M10 | 10 | 17 | Steel ZP |
| P0308.120-ZP | M12 | 12 | 19 | Steel ZP |
| P0308.140-ZP | M14 | 14 | 22 | Steel ZP |
| P0308.160-ZP | M16 | 16 | 24 | Steel ZP |
| P0308.200-ZP | M20 | 20 | 30 | Steel ZP |
| P0308.240-ZP | M24 | 24 | 36 | Steel ZP |
| P0308.300-ZP | M30 | 30 | 46 | Steel ZP |