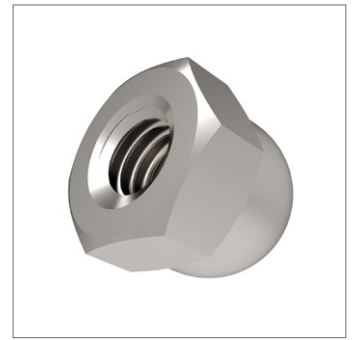
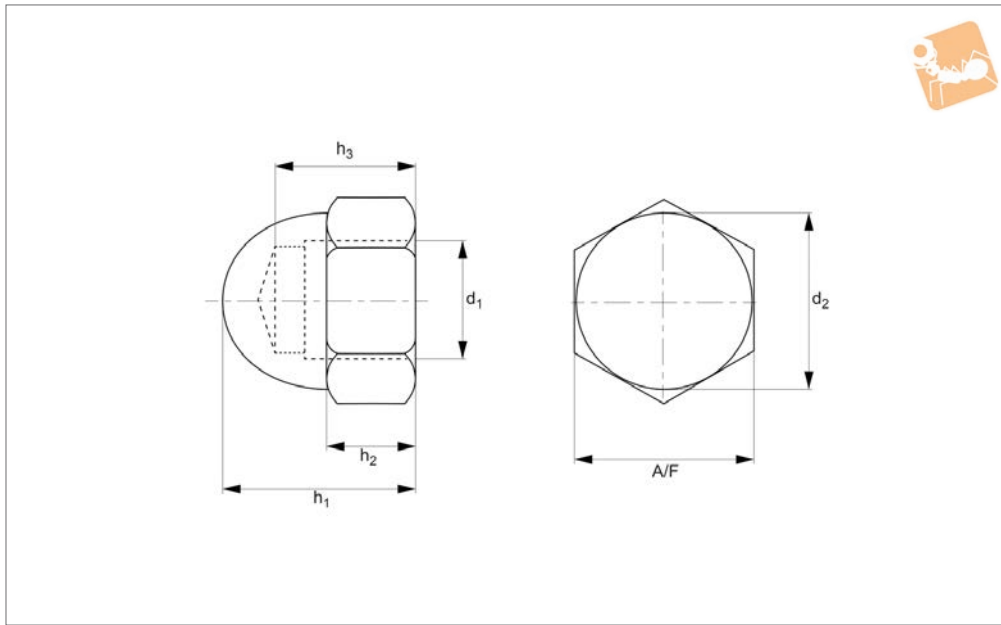




# Hexagon Domed Nuts

Brass



**P0318.BR**

NUTS

**Material**  
Brass.

**Technical Notes**  
To DIN 1587.

Order No.	d <sub>1</sub>	h <sub>1</sub> max.	h <sub>2</sub> max.	h <sub>3</sub>	d <sub>2</sub>	A/F	Material
P0318.030-BR	M 3	6	2.4	4.5	5.5	5.5	Brass
P0318.040-BR	M 4	8	3.2	5.5	6.5	7.0	Brass
P0318.050-BR	M 5	10	4.0	7.5	7.5	8.0	Brass
P0318.060-BR	M 6	12	5.0	8.0	9.5	10.0	Brass
P0318.080-BR	M 8	15	6.5	11.0	12.5	13.0	Brass
P0318.100-BR	M10	18	8.0	13.0	16.0	17.0	Brass
P0318.120-BR	M12	22	10	16.0	18.0	19.0	Brass
P0318.160-BR	M16	28	13	21.0	23.0	24.0	Brass
P0318.200-BR	M20	34	16	26.0	28.0	30.0	Brass