

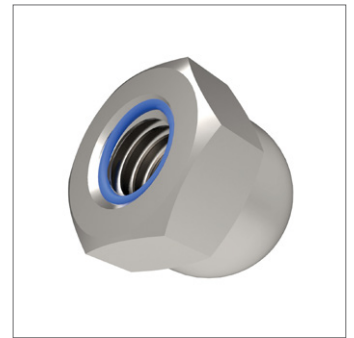
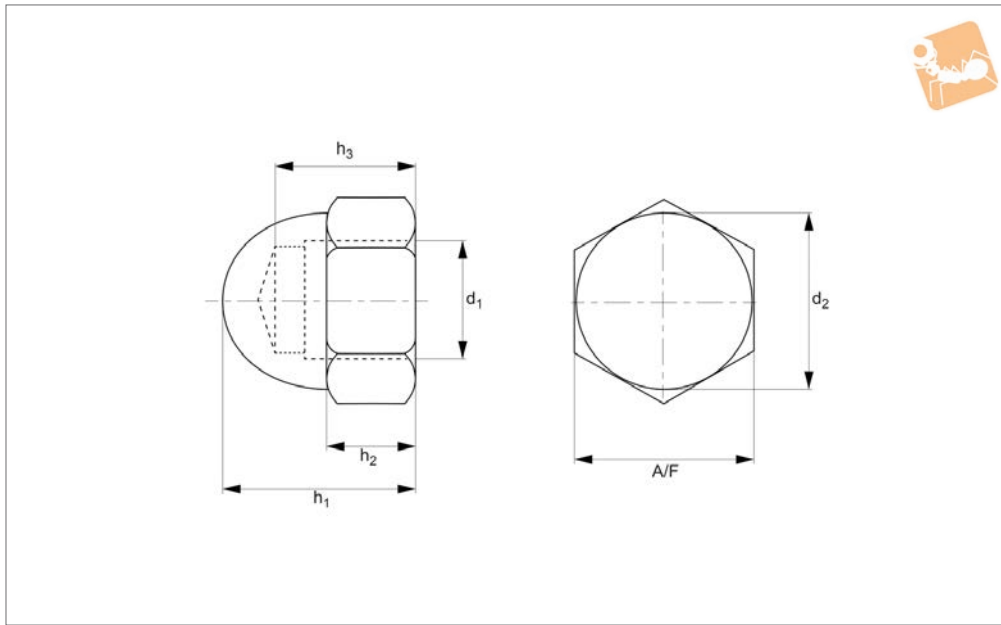


Nylon Insert Domed Nuts

Nylon insert - steel, zinc-plated



Nuts



P0319.ZP

NUTS

Material

Steel (class 6 or over), zinc-plated.

Technical Notes

To DIN 986.

Order No.	d_1	h_1 max.	h_2 max.	A/F	Material
P0319.040-ZP	M 4	9.6	2.90	7	Steel ZP
P0319.050-ZP	M 5	10.5	4.40	8	Steel ZP
P0319.060-ZP	M 6	12.0	4.90	10	Steel ZP
P0319.080-ZP	M 8	14.0	6.44	13	Steel ZP
P0319.100-ZP	M10	18.1	8.04	17	Steel ZP
P0319.120-ZP	M12	22.5	10.37	19	Steel ZP
P0319.160-ZP	M16	27.5	14.10	24	Steel ZP