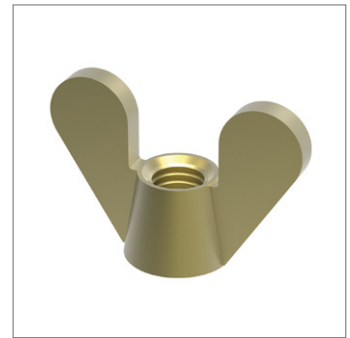
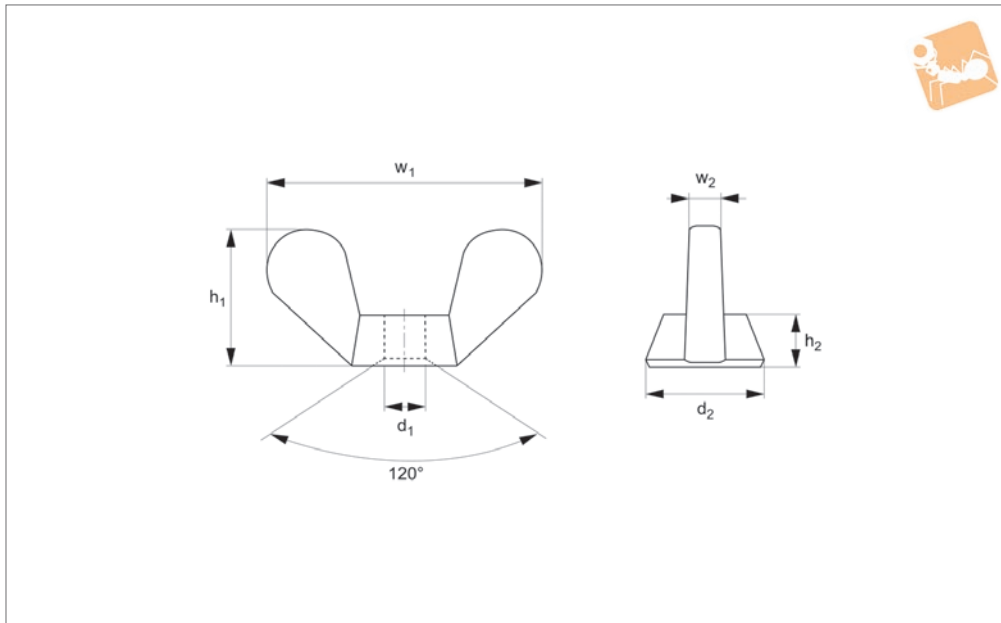




# Wing Nuts

Female thread - brass



**P0328.BR**

NUTS

**Material**  
Brass.

**Technical Notes**  
To DIN 315 AF.

Order No.	d <sub>1</sub>	w <sub>1</sub>	h <sub>1</sub>	h <sub>2</sub> max.	Material
P0328.030-BR	M 3	18.5	8.8	3.0	Brass
P0328.040-BR	M 4	18.5	8.8	3.0	Brass
P0328.050-BR	M 5	22.0	10.5	4.0	Brass
P0328.060-BR	M 6	26.8	12.9	4.9	Brass
P0328.080-BR	M 8	30.3	14.8	5.4	Brass
P0328.100-BR	M10	35.3	17.3	6.3	Brass
P0328.120-BR	M12	47.5	22.5	7.9	Brass
P0328.160-BR	M16	65.0	30.8	10.6	Brass
P0328.200-BR	M20	67.0	31.2	12.2	Brass