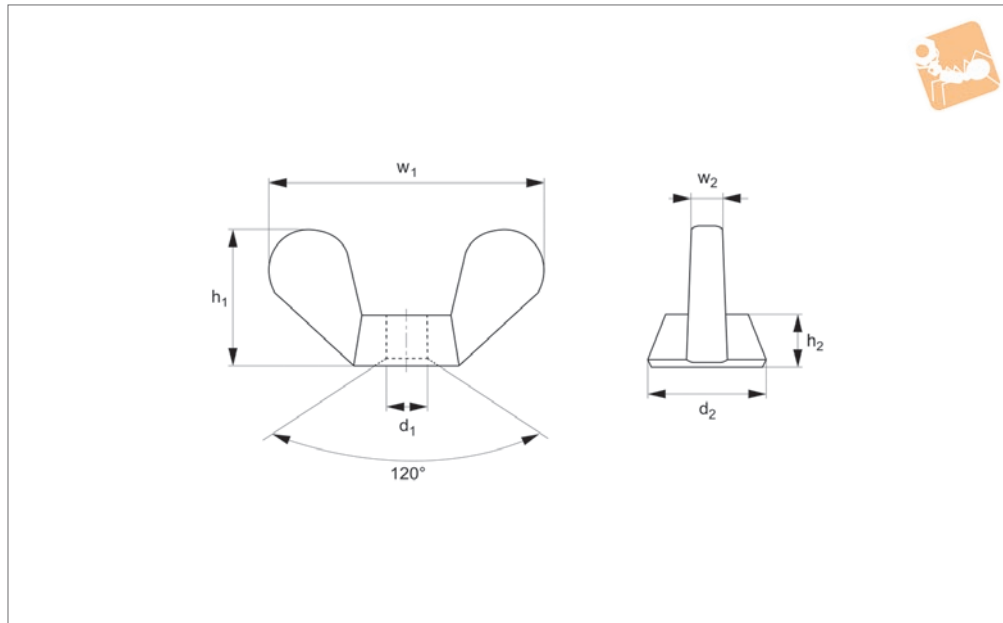




# Wing Nuts

Female thread - steel, zinc-plated



## P0328.ZP

NUTS

### Material

Steel, zinc-plated.

### Technical Notes

To DIN 315 AF.

Order No.	$d_1$	$w_1$	$h_1$	$h_2$ max.	Material
P0328.030-ZP	M 3	18.5	8.8	3.0	Steel ZP
P0328.040-ZP	M 4	18.5	8.8	3.0	Steel ZP
P0328.050-ZP	M 5	22.0	10.5	4.0	Steel ZP
P0328.060-ZP	M 6	26.8	12.9	4.9	Steel ZP
P0328.080-ZP	M 8	30.3	14.8	5.4	Steel ZP
P0328.100-ZP	M10	35.3	17.3	6.3	Steel ZP
P0328.120-ZP	M12	47.5	22.5	7.9	Steel ZP
P0328.160-ZP	M16	65.0	30.8	10.6	Steel ZP
P0328.200-ZP	M20	67.0	31.2	12.2	Steel ZP