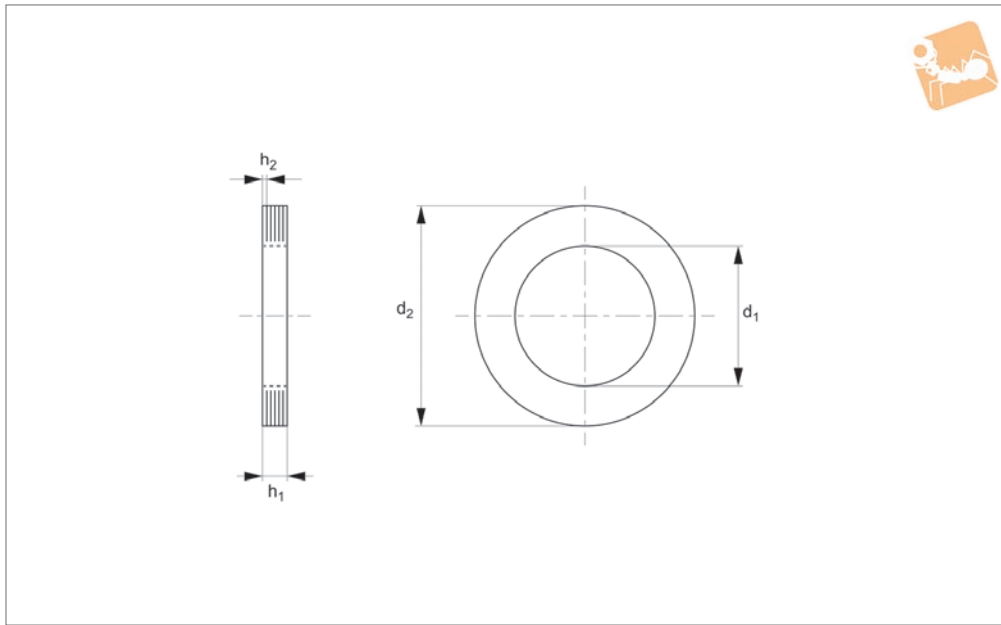




# Laminated Shim Spacers

brass



**P0344.BR**

FLAT WASHERS

### Material

Brass, with 0,05mm laminations.

### Technical Notes

The inner race spacers fits onto shafts and

preloads inner race of ball bearing.  
The outer race fits into the housing and preloads outer race of ball bearing.

### Tips

The laminations can be peeled off as required.

Order No.	For shaft	$d_1$ $\pm 0.1$	$d_2$ $+0.0 -0.1$	$h_1$ $\pm 0.1$	$h_2$
P0344.030-I	3	3.2	5.9	0.8	0.05
P0344.050-I	5	5.2	9.5	0.8	0.05
P0344.060-I	6	6.2	12.7	0.8	0.05
P0344.100-I	10	10.2	15.9	0.8	0.05
P0344.100-O	10	7.9	10.0	0.8	0.05
P0344.130-O	13	9.5	13.0	0.8	0.05