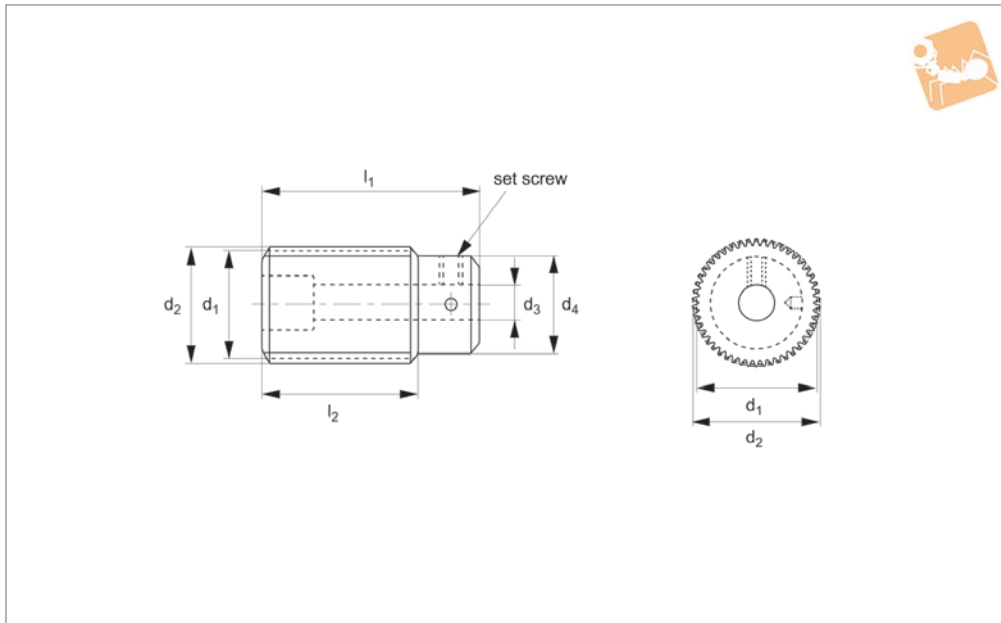




# 0,5 Module Precision Worms

stainless steel

Other Precision Gears



**R2144**

OTHER PRECISION GEARS

**Material**

Stainless steel (DIN 1,4305).

**Technical Notes**

Quality class DIN 7/AGMA 10.  
Right hand.

Order No.	Starts	$l_1$	$l_2$	$d_1$	$d_2$	$d_3$ tol. H7	$d_4$	Lead	Lead angle	Pressure angle
<b>R2144.3S</b>	Single	19	14	9	10	3	8	1.571	3° 10'	14 1/2°
<b>R2144.3D</b>	Double	19	14	9	10	3	8	3.142	6° 20'	20°
<b>R2144.3F</b>	Four	19	14	9	10	3	8	6.283	12° 31'	25°
<b>R2144.5S</b>	Single	19	14	9	10	5	8	1.571	3° 10'	14 1/2°
<b>R2144.5D</b>	Double	19	14	9	10	5	8	3.142	6° 20'	20°
<b>R2144.5F</b>	Four	19	14	9	10	5	8	6.283	12° 31'	25°