



# R4110



### Material

Precision air drill of stainless steel and alloy steel construction. Balanced rotor precision between precision ball bearings virtually eliminates friction and wear. Hardened planetary gear system provides increased torque transmission capabilities and long-life.

### Technical Notes

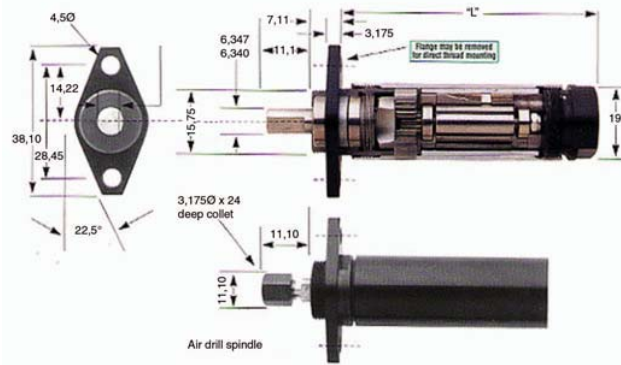
For medical, robotic and industrial applications. Gears slip above the torque. Average free speed and stall torque specifications at 90 psi. Maximum shaft loading 7,72Kg. **Please read operating and installation manual carefully.**

### Tips

Shaft seals available for units having free speeds of 2000 rpm or less. If you require a sealed motor please clearly specify when ordering and add -S to part number.

LF=lubrication free version

## Miniature Air Drills



Order No.	Type	Free speed rpm	Lubricate?	Stall torque Ncm	L mm	grams
R4110.MMD5000	Right hand	50,000	Yes	2,47	65,0	92
R4110.MMD2800	Right hand	28,000	Yes	5,08	65,0	92
R4110.MMD0700	Right hand	7,000	Yes	16,94	65,0	92
R4110.MMD0014	Right hand	1,750	Yes	77,66	81,0	120
R4110.MMD0004	Right hand	450	Yes	310,64	96,8	135
R4110.MMD5000-LF	Right hand	50,000	No	2,47	65,0	92
R4110.MMD2800-LF	Right hand	28,000	No	5,08	65,0	92
R4110.MMD0700-LF	Right hand	7,000	No	16,94	65,0	92
R4110.MMD0014-LF	Right hand	1,750	No	77,66	81,0	120
R4110.MMD0004-LF	Right hand	450	No	310,64	96,8	135
R4110.MMDR5000	Reversible	50,000	Yes	2,47	65,0	92
R4110.MMDR2800	Reversible	28,000	Yes	5,08	65,0	92
R4110.MMDR0700	Reversible	7,000	Yes	16,94	65,0	92
R4110.MMDR0014	Reversible	1,750	Yes	77,66	81,0	120
R4110.MMDR0004	Reversible	450	Yes	310,64	96,8	135
R4110.MMDR5000-LF	Reversible	50,000	No	2,47	65,0	92
R4110.MMDR2800-LF	Reversible	28,000	No	5,08	65,0	92
R4110.MMDR0700-LF	Reversible	7,000	No	16,94	65,0	92
R4110.MMDR0014-LF	Reversible	1,750	No	77,66	81,0	120
R4110.MMDR0004-LF	Reversible	450	No	310,64	96,8	135

ROTARY OTHER

